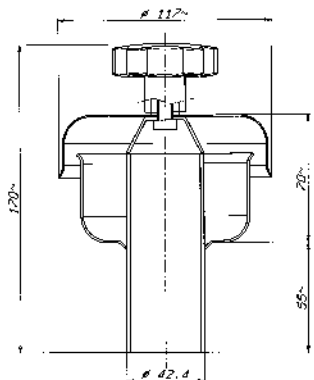




Accessori e Ricambi
Accessories et Recharges
Accesorios y Recambios
Accessories and Spare-parts

Art. 112

Valvola di sfato a doppio effetto
Soupape à double effet
Válvula de desaire de double efecto
 Double-acting relief valve



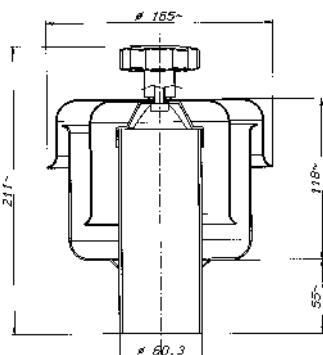
Tubo
 Tuyau
 Tubo
 Pipe 1 1/4"



ART. REF.	INOX AISI	HI/h
112-4	304L	150
112-6	316L	150

Art. 113

Valvola di sfato a doppio effetto
Soupape à double effet
Válvula de desaire de double efecto
 Double-acting relief valve



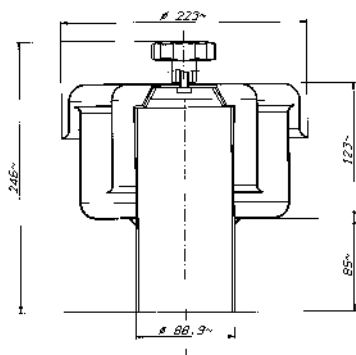
Tubo
 Tuyau
 Tubo
 Pipe 2"



ART. REF.	INOX AISI	HI/h
113-4	304L	300
113-6	316L	300

Art. 114

Valvola di sfato a doppio effetto
Soupape à double effet
Válvula de desaire de double efecto
 Double-acting relief valve



Tubo
 Tuyau
 Tubo
 Pipe 3"



ART. REF.	INOX AISI	HI/h
114-4	304L	1000
114-6	316L	1000

Art. **V10**

Valvola di sfiato a doppio effetto
pressione e depressione in
polietilene Ø 2"

*Clapet de sécurité en
polythylene Ø 2"*

*Válvula de respiración en
polietileno Ø 2"*

Air valve in polythylene Ø 2"



HI/h 1000

Art. **V20**

Valvola di sfiato a doppio effetto
pressione e depressione in
polietilene Ø 1" 1/4

*Clapet de sécurité en
polythylene
Ø 1" 1/4*

*Válvula de respiración en
polietileno Ø1" 1/4*

Air valve in polythylene Ø1" 1/4



HI/h 500

Art. **V30**

Valvola di sfiato a doppio effetto
pressione e depressione in
polietilene Ø 1" 1/4

*Clapet de sécurité en
polythylene
Ø 1" 1/4*

*Válvula de respiración en
polietileno Ø1" 1/4*

Air valve in polythylene Ø1" 1/4



HI/h 150

Art. R10

Mezzo raccordo portagomma
in acciaio inox

*Demi-raccord à ligaturer
en acier inox*

*Medio empalme
en acero inoxidable*

*Stainless steel half fitting
for rubber-holde*

Ø 40 50 60 70 80 100 120



Art. R20

Semi raccordo a saldare
in acciaio inox

*Demi-raccord à sauder
en acier inox*

*Semi-empalme a soldar
en acero inoxidable*

*Stainless steel half fitting
to be weldeb*

Ø 40 50 60 70 80 100 120



Art. R30

Morsetto per raccordo
in acciaio inox

*Collier de serrage
en acier inox*

*Grapa para empalme
en acero inoxidable*

*Stainless steel clamp
for fitting*

Ø 40 50 60 70 80 100 120



Art. **R40**

Tappo per raccordo a morsetto
in acciaio inox

*Bouchon pour raccord
à collier en inox*

*Tapa para empalme
en acero inoxidable*

*Stainless steel
plug for clamp*



Ø 40 50 60 70 80 100 120

Art. **R50**

Guarnizione per raccordo

Joint pour raccord

Junta para empalme

Gasket for clamp



Ø 40 50 60 70 80 100 120

Art. FL

Flangia con fori lisci o filettati

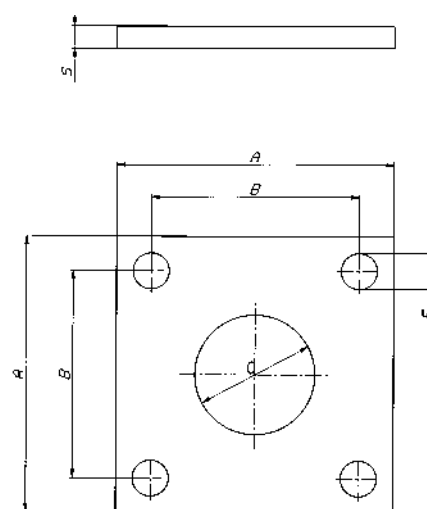
Bride avec trous rondes lisses ou filetés

Brida con agujeros lisos o roscados

Flange with smooth or threaded holes

Acc. inox

COD.	A	B	C	F	S
FL6-90/3	90	60	∅ 38,3	13	6
FL6-90/4	90	60	∅ 43,3	13	6
FL6-100/3	100	75	∅ 38,3	13	6
FL6-100/4	100	75	∅ 48,3	13	6
FL6-100/5	100	75	∅ 53,3	13	6
FL6-120/6	120	82	∅ 63,3	13	6
FL6-120/7	120	82	∅ 73,3	13	6
FL6-120/6-A	120	90	∅ 63,3	13	6
FL6-120/7-A	120	90	∅ 73,3	13	6
FL8-90/3	90	60	∅ 38,3	13	8
FL8-90/4	90	60	∅ 43,3	13	8
FL8-100/3	100	75	∅ 38,3	13	8
FL8-100/4	100	75	∅ 48,3	13	8
FL8-100/5	100	75	∅ 53,3	13	8
FL8-120/6	120	82	∅ 63,3	13	8
FL8-120/7	120	82	∅ 73,3	13	8
FL8-120/6-A	120	90	∅ 63,3	13	8
FL8-120/7-B	120	90	∅ 73,3	13	8



Art. FA

Flangia con asola

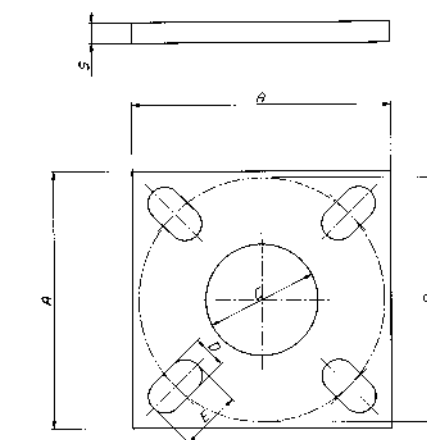
Bride avec trous ovales

Brida con ojal

Flange with holes

Acc. inox

COD.	A	B	C	DxE	S
FA6-100/3	100	∅ 95	∅ 38,3	13x24	6
FA6-100/4	100	∅ 95	∅ 43,3	13x24	6
FA6-120/6	120	∅ 120	∅ 63,3	13x24	6
FA6-120/7	120	∅ 120	∅ 73,3	13x24	6
FA8-100/3	100	∅ 95	∅ 38,3	13x24	8
FA8-100/4	100	∅ 95	∅ 43,3	13x24	8
FA8-120/6	120	∅ 120	∅ 63,3	13x24	8
FA8-120/7	120	∅ 120	∅ 73,3	13x24	8



Art. **FP**

Flangia

Bride

Brida

Flange



Acc. inox

FP - Flange con fori senza foro centrale

COD.	A	B	C	F	S
FP6-90	90	60		13	6
FP6-100	100	75		13	6
FP6-120	120	82		13	6
FP6-120/A	120	90		13	6
FP8-90	90	60		13	8
FP8-100	100	75		13	8
FP8-120	120	82		13	8
FP8-120/A	120	90		13	8

FPA - Flange asolate senza foro centrale

COD.	A	B	C	DxE	S
FPA6-100	100	∅ 95		13x24	6
FPA6-120	120	∅ 120		13x24	6
FPA8-100	100	∅ 95		13x24	8
FPA8-120	120	∅ 120		13x24	8

Art. **GFL - GFA**

Guarnizioni

Joints

Juntas

Gaskets



GFL - x FL

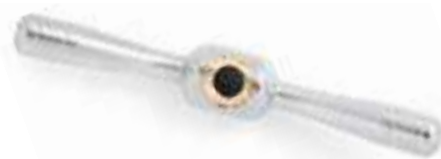


GFA - x FA

RICAMBI - RECHANGES - RECAMBIOS - SPARE PARTS

Maniglia inox
Poignée inox
Manija inox
Inox Handle

Ref.	Ø mm
MN-1	M14
MN-2	M16
MN-3	M24



Volantino in tecnopolimero
Volant technopolymer
Volante technopolymer
Technopolymer handweel

Art.	Ø mm
VL140-14	140 - M14
VL140-16	140 - M16
VL180-14	180 - M14
VL180-16	180 - M16



Volantino in tecnopolimero
Volant technopolymer
Volante technopolymer
Technopolymer handweel

Art.	Ø mm
VL45-8	45 - M8
VL45-10	45 - M10
VL60-8	60 - M8
VL60-10	60 - M10



Volantino in ottone cromato
Volant en laiton chromè
Volante de latón cromado
Chromate brass handweel

Art.	Filetto Ø mm
PM-10	60 - M10
PM-14	95 - M14
PM-16	95 - M16



Tirante ad occhiello
Goujon
Clavija
Eye-bolt

Art.	Mat.	Ø mm	L mm
T10	AISI 304L	10	60
T20	AISI 304L	10	100
T30	AISI 304L	14	125
T40	AISI 304L	14	170



Crampon

Art.	
CRP-1	Normal
CRP-2	Aseptic
CRP-3	Big Aseptic



Pivot

Art.	Perno Ø mm x L
PVT-1	20 x 70
PVT-2	25 x 70



RICAMBI - RECHANGES - RECAMBIOS - SPARE PARTS

Chiusura azoto

*Plaques pour
crampons*

Tabique

Closure

Art.	
C10	Normal
C20	Aseptic
C30	Big Aseptic



Bavarino

Bavette

Bavero

Burr

Art.	Porte - Portes - Puertas - Lids
BAV-115	115
BAV-116	115
BAV-118	118
BAV-121	121



Viti

Vis

Bulones

Hexagonal screws

Art.	Ø mm	L mm
V 8-30	M8	30 mm
V 8-35	M8	35 mm
V 12-45	M12	45 mm
V 12-55	M12	55 mm



Guarnizioni

joints

Juntas

Gaskets

Art.	Type
G-OV	127 - 128
G-OVLT	126
G-OVG	125
G-RG	115 - 116 - 129
G-RP	121 - 122 - 123 - 124 - 130 - 131
G-118	118
G-132	132
G-133	133 - 134 - 135
G-139	139
G-200	22
G-300	30
G-400	40
G-500	50
G-600	60
G-A200	22/1
G-A300	30/1
G-A400	40/1
G-A500	50/1
G-A600	60/1
G-A800	80/1 - 90/1 - 100/1 - 120/1 - 140/1 - 160/1



TIPO	APPLICAZIONE	RESITENZA
PARA	Alimentare	- 50° C + 80° C
NBR	Antiolio	- 10° C + 120° C
EPDM	Alimentare	- 40° C + 130° C
VITON		- 40° C + 200° C
SILICONE	Alimentare	- 50° C + 170° C

The image shows three clear, circular floating lids stacked on a light blue background. The lids are made of a transparent material and have a slightly raised rim. The background is decorated with faint, glowing binary code (0s and 1s) scattered across it. The lids are arranged in a slightly offset stack, with the top lid being the most prominent. The overall aesthetic is clean and modern, suggesting a high-tech or scientific application.

Coperchi galleggianti
Chapeaux flottant
Tapa flotante
Floating lids

Art. 150

Galleggiante per semprepieni ricavato da stampo per chiusura a camera d'aria da Ø 380 a Ø 990 con incremento di 10 mm

Chapeaux flottant embouti pour cuve Ø 380 à Ø 990 de 10 mm. à 10 mm

Tapa flotante para siemprellenos estampado con cerredura a camara de aire Ø 380 a Ø 990 con incremento de 10 mm

Floating lid for tanks always full for closing inner tube Ø from 380 to Ø 990 with increase of 10 mm



N.B. I Galleggianti dal Ø 380 al Ø 515 hanno il foro centrale mentre quelli diam. sup. hanno il foro laterale

N.B. Les chapeaux Ø 380 à Ø 515 ont trou central plus grand diametre trou latéral

N.B. Las tapas de Ø 380 a Ø 515 tienen el agujero central, mientras que los diam. sup. lo tienen lateral

N.B. The floating lids from Ø 380 to Ø 515 have the central hole while those with superior diameter have the lateral hole

Art. 151

Galleggiante per semprepieni per chiusura a camera d'aria da Ø 320 a Ø 2170 con incremento di 10 mm

Spessore 8/10 Finitura 2B completi di:
fino a Ø 1060 mm gancio centrale e foro per valvola di sfiato laterale
da Ø 1070 mm N° 4 zanche e foro per valvola di sfiato centrale

Chapeaux flottant pour cuve Ø 320 à Ø 2170 de 10 mm. à 10 mm

Epaisseur 8/10 Finition 2B:
jusque a Ø 1060 mm crochet central et lateral trou pour clapet de securité,
de Ø 1070 mm N°4 supports et trou central pour clapet de securité

Tapa flotante para siemprellenos con cerredura a camara de aire Ø 320 a Ø 2170 con incremento de 10 mm

Espesor 8/10 Finitura 2B completos de:
hasta Ø 1060 mm gancho central y agujero para valvula de respiración lateral
desde Ø 1070 mm N°4 soportes y agujero para valvula de respiración central

Floating lid for tanks always full closing inner tube from Ø 320 to Ø 2170 with increase of 10 mm

Thikness 8/10 Finish 2B complet of:
up to Ø 1060 mm central hook and lateral hole for valve
from Ø 1070 mm N°4 supports and central hole for valve



N.B. Dal Ø 1350 ogni galleggiante standard è dotato di un tubo di rinforzo.

Si consiglia: oltre Ø 1800 richiedere un secondo tubo di rinforzo e 4 tiranti, oltre il Ø 2000 richiedere un secondo tubo di rinforzo e 5 tiranti

N.B. Du Ø 1350 chaque chapeaux standard est doté du un tube de renfort.

Il recommandé: au-delà Ø 1800 un second tube de renfort et 4 tirants, au-delà Ø 2000 mentre tube de renfort et 5 tirants

N.B. Desde el Ø 1350 cada tapa es dotada de un tubo de refuerzo.

se aconseja: desde el Ø 1800 pedir un segundo tubo de refuerzo y 4 tirantes, desde el Ø 2000 pedir un segundo tubo de refuerzo y 5 tirantes

N.B. From Ø 1350 every floating lid is endowed of one reinforcement tube.

Is recommended: beyond Ø 1800 require a second reinforcement tube and 4 tensions bar, beyond Ø 2000 to require a second reinforcement tube and 5 tensions bar

Art. 152

Camera d'aria per uso alimentare
da Ø 320 a Ø 3000

*Chambre à air pour usage
alimentaire de Ø 320 à Ø 3000*

*Camara de aire para uso
alimenticio desde Ø 320 a Ø 3000*

*Inner-tube for alimentary use from
Ø 320 to Ø 3000*



Art. 153

Pompa con gancio completa
di manometro orizzontale e
rubinetto di sicurezza

*Pompe avec crochet complet
du manometre horizontal et
robinet de securité*

*Bomba con gancho completa
de manometro horizontal y
grifo de seguridad*

*Pump with hook complete of
horizontal gage and security tap*



Art. 154

Pompa con gancio completa
di manometro verticale e
rubinetto di sicurezza

*Pompe avec crochet complet
du manometre vertical et
robinet de securité*

*Bomba con gancho completa
de manometro vertical y
grifo de seguridad*

*Pump with hook complete of
vertical gage and security tap*



VALVOLE A SFERA A 2 VIE

VANNES A BOULE A 2 VOIES
VALVULAS A ESFERA A 2 PASOS
2 WAYS BALL VALVES

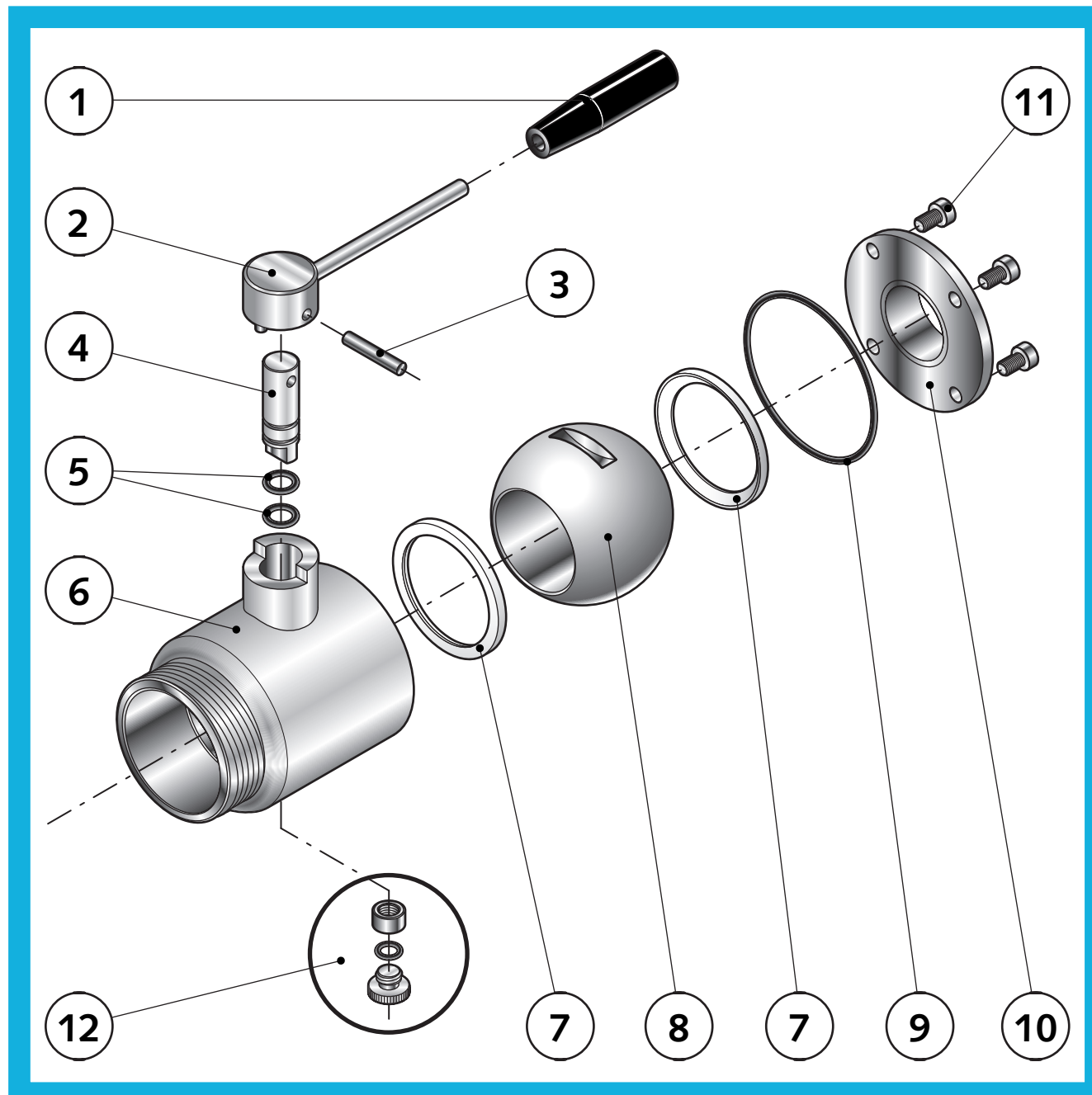


VALVOLA A SFERA A 2 VIE CON CORPO BOMBATO "SD"

VANNES A BOULE A 2 VOIES BOMBÈ "SD"

VALVULAS A ESFERA A 2 PASOS "SD"

"SD" 2 WAYS BALL VALVES BODY WITH SWELL

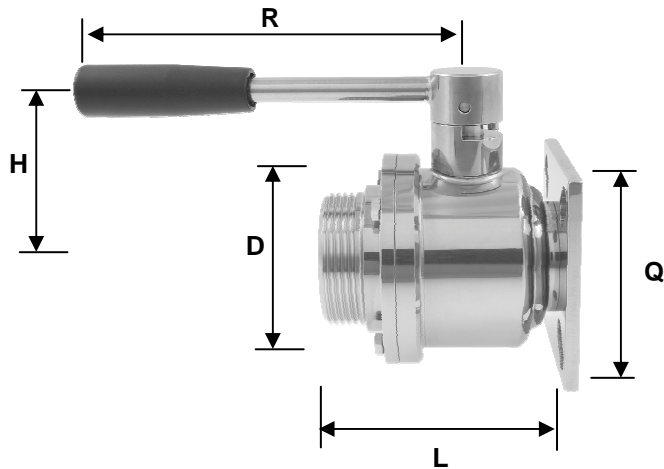


- 1 - **Impugnatura** / Poignée / Empuñadura / Handle
- 2 - **Maniglia** / Poignée / Manija / Rod working valve
- 3 - **Spina** / Épine / Espina / Thorn
- 4 - **Perno** / Tourillon / Perno / Valve plug
- 5 - **Or perno** / Tourillon or / Perno or / Plug or
- 6 - **Corpo valvola bombato con attacco d'entrata** / Corps de vanne bombé avec attache d'admission
Cuerpo de la valvola con conexion de entrada / Valve body with swell and inlet fastening
- 7 - **Guarnizione di tenuta** / Joint d'étanchéité / Junta hermetica / Hermetic seal
- 8 - **Otturatore a sfera** / Boule / Obturador a esfera / Ball
- 9 - **Or attacco di uscita** / Attache de redement or / Conexion de salida or / Output fastening or
- 10 - **Attacco di uscita** / Attache de redement / Conexion de salida / Output fastening
- 11 - **Viti di serraggio** / Vis de blocage de vanne / Tornillo de cerraje / Valve locking screws
- 12 - **Dispositivo di drenaggio (opzionale)** / Purge (optionnel) / Drenaje (optional) / Draining device (optional)

VALVOLA A SFERA A 2 VIE TIPO "SD"
 VANNE A BOULE A 2 VOIES TIPE "SD"
 VALVULA A BOLA A 2 VIAS TIPO "SD"
 BALL VALVE 2 WAYS TYPE "SD"

FLANGIA QUADRA - SMS
 BRIDE CARRE - SMS
 BRIDA CUADRADA - SMS
 SQUARE FLANGE - SMS

SD-FLQ/SMS

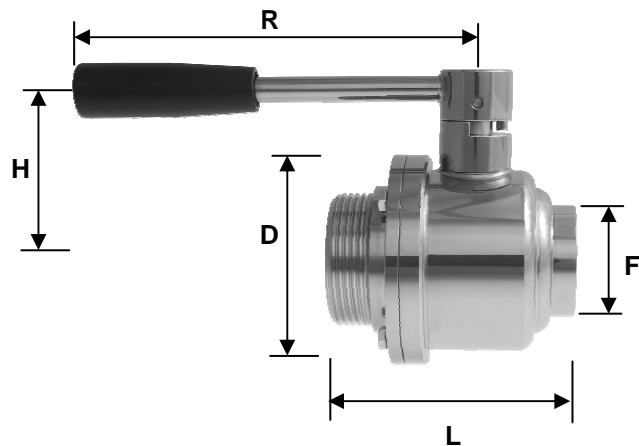


DN	Q	D	L	R	H
38	100	92	86	150	75
51	100	105	110	167	105
76	120	125	140	250	137

VALVOLA A SFERA A 2 VIE TIPO "SD"
 VANNE A BOULE A 2 VOIES TIPE "SD"
 VALVULA A BOLA A 2 VIAS TIPO "SD"
 BALL VALVE 2 WAYS TYPE "SD"

SALDARE - SMS
 SOUDER - SMS
 SOLDAR - SMS
 WELD - SMS

SD-SL/SMS

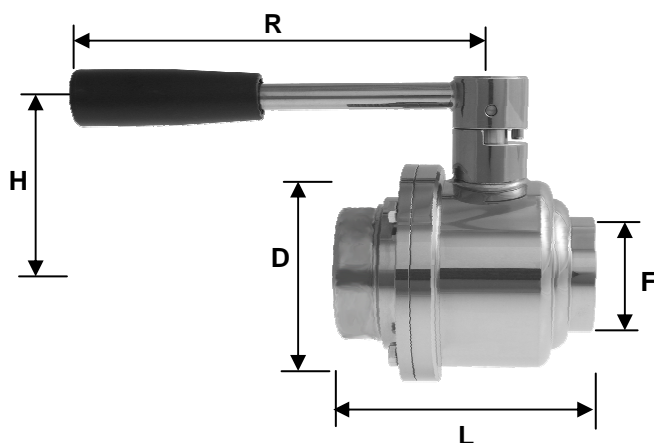


DN	F	D	L	R	H
38	38,1	92	86	150	75
51	50,8	105	110	167	105
76	76,1	125	140	250	137

VALVOLA A SFERA A 2 VIE TIPO "SD"
 VANNE A BOULE A 2 VOIES TIPE "SD"
 VALVULA A BOLA A 2 VIAS TIPO "SD"
 BALL VALVE 2 WAYS TYPE "SD"

SMS SALDARE / SMS SALDARE
 SMS SOUDER / SMS SOUDER
 SMS SOLDAR / SMS SOLDAR
 SMS WELD / SMS WELD

SD-SMSSL/SL

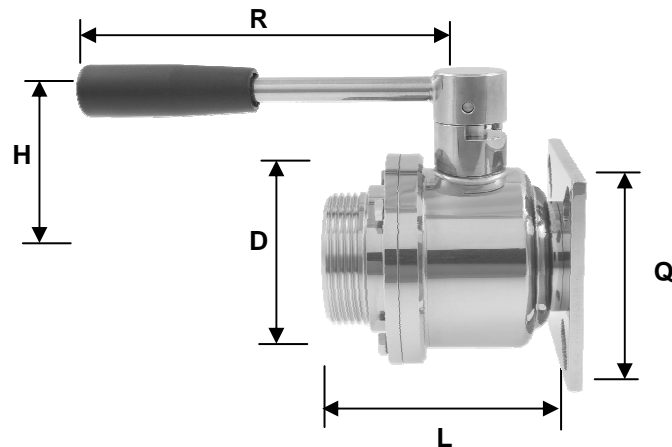


DN	F	D	L	R	H
38	38,1	92	81	150	75
51	50,8	105	105	167	105
76	76,1	125	135	250	137

VALVOLA A SFERA A 2 VIE TIPO "SD"
 VANNE A BOULE A 2 VOIES TIPE "SD"
 VALVULA A BOLA A 2 VIAS TIPO "SD"
 BALL VALVE 2 WAYS TYPE "SD"

FLANGIA QUADRA - MACON
 BRIDE CARRE - MACON
 BRIDA CUADRADA - MACON
 SQUARE FLANGE - MACON

SD-FLQ/MC

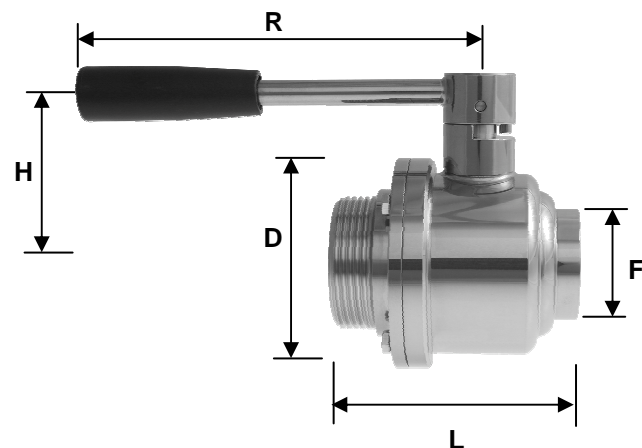


DN	Q	D	L	R	H
40	100	92	100	150	75
50	100	105	110	167	105
70	120	125	140	250	137

VALVOLA A SFERA A 2 VIE TIPO "SD"
 VANNE A BOULE A 2 VOIES TIPE "SD"
 VALVULA A BOLA A 2 VIAS TIPO "SD"
 BALL VALVE 2 WAYS TYPE "SD"

SALDARE - MACON
 SOUDER - MACON
 SOLDAR - MACON
 WELD - MACON

SD-SL/MC

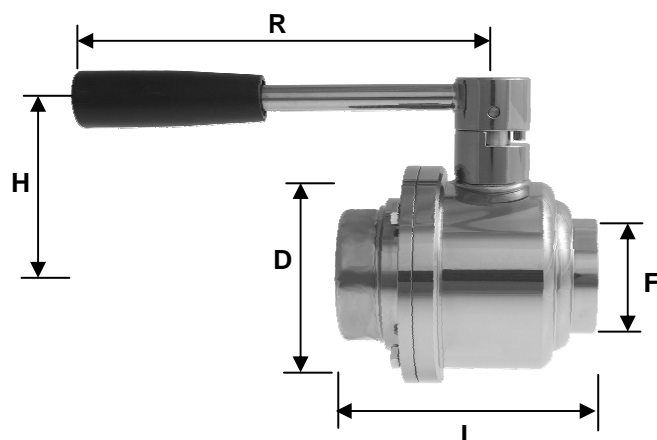


DN	F	D	L	R	H
40	43	92	100	150	75
50	53	105	110	167	105
70	73	125	140	250	137

VALVOLA A SFERA A 2 VIE TIPO "SD"
 VANNE A BOULE A 2 VOIES TIPE "SD"
 VALVULA A BOLA A 2 VIAS TIPO "SD"
 BALL VALVE 2 WAYS TYPE "SD"

MACON SALDARE / MACON SALDARE
 MACON SOUDER / MACON SOUDER
 MACON SOLDAR / MACON SOLDAR
 MACON WELD / MACON WELD

SD-MCSL/SL

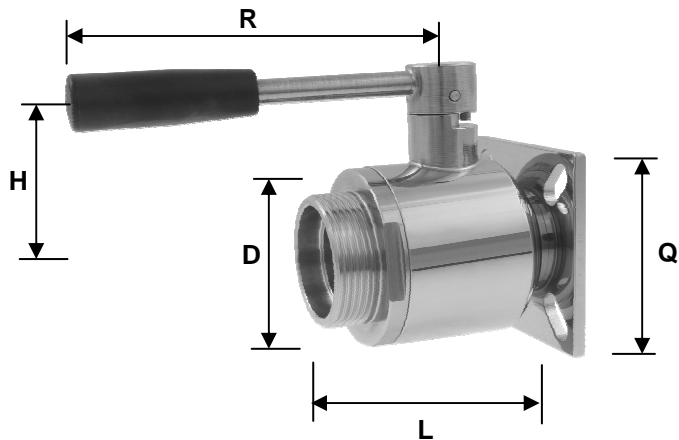


DN	F	D	L	R	H
40	43	92	95	150	75
50	53	105	105	167	105
70	73	125	135	250	137

VALVOLA A SFERA A 2 VIE TIPO "BE"
 VANNE A BOULE 2 VOIES TIPE "BE"
 VALVULA A BOLA 2 VIAS TIPO "BE"
 BALL VALVE 2 WAYS TYPE "BE"

FLANGIA QUADRA - SMS
 BRIDE CARRE - SMS
 BRIDA CUADRADA - SMS
 SQUARE FLANGE - SMS

BE-FLQ/SMS

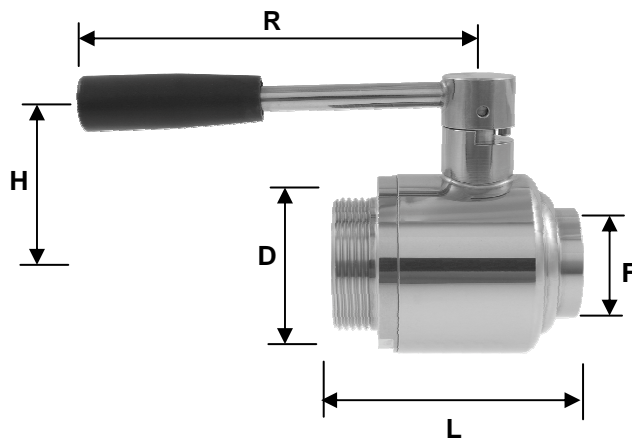


DN	Q	D	L	R	H
38	100	60	91	150	75
51	100	90	112	167	98
63	120	100	137	179	108
76	120	116	145	250	131
101/104	140	167	215	265	155

VALVOLA A SFERA A 2 VIE TIPO "BE"
 VANNE A BOULE 2 VOIES TIPE "BE"
 VALVULA A BOLA 2 VIAS TIPO "BE"
 BALL VALVE 2 WAYS TYPE "BE"

SALDARE - SMS
 SOUDER - SMS
 SOLDAR - SMS
 WELD - SMS

BE-SL/SMS

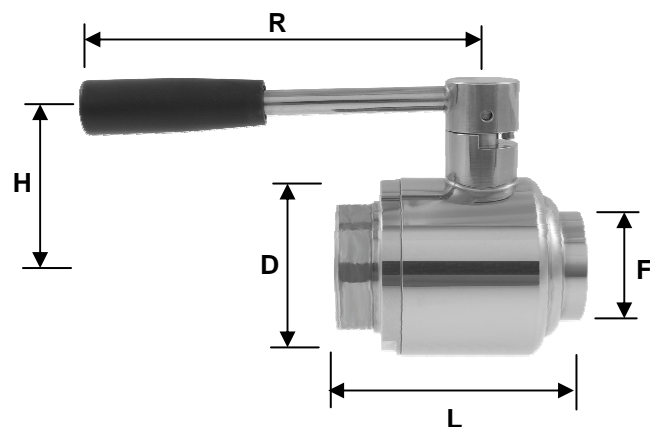


DN	F	D	L	R	H
38	38,1	60	91	150	75
51	50,8	90	112	167	98
63	63,5	100	137	179	108
76	76,1	116	145	250	131
101/104	101,6	167	215	265	155

VALVOLA A SFERA A 2 VIE TIPO "BE"
 VANNE A BOULE 2 VOIES TIPE "BE"
 VALVULA A BOLA 2 VIAS TIPO "BE"
 BALL VALVE 2 WAYS TYPE "BE"

SMS SALDARE / SMS SALDARE
 SMS SOUDER / SMS SOUDER
 SMS SOLDAR / SMS SOLDAR
 SMS WELD / SMS WELD

BE-SMSSL/SL

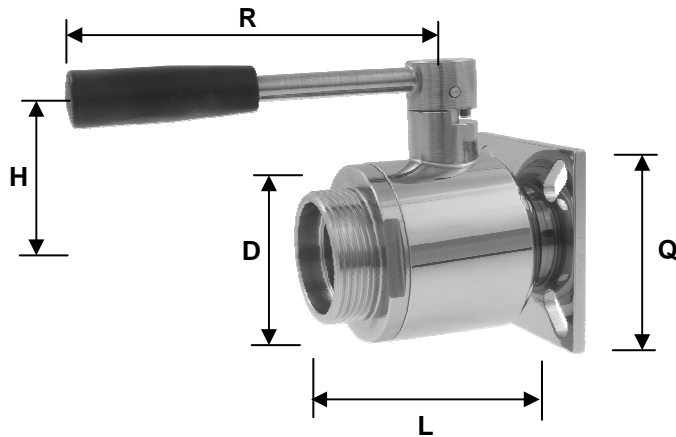


DN	F	D	L	R	H
38	38,1	60	84	150	75
51	50,8	90	104	167	98
63	63,5	100	120	179	108
76	76,1	116	137	250	131
101/104	101,6	167	180	265	155

VALVOLA A SFERA A 2 VIE TIPO "BE"
 VANNE A BOULE 2 VOIES TIPO "BE"
 VALVULA A BOLA 2 VIAS TIPO "BE"
 BALL VALVE 2 WAYS TYPE "BE"

FLANGIA QUADRA - MACON
 BRIDE CARRE - MACON
 BRIDA CUADRADA - MACON
 SQUARE FLANGE - MACON

BE-FLQ/MC

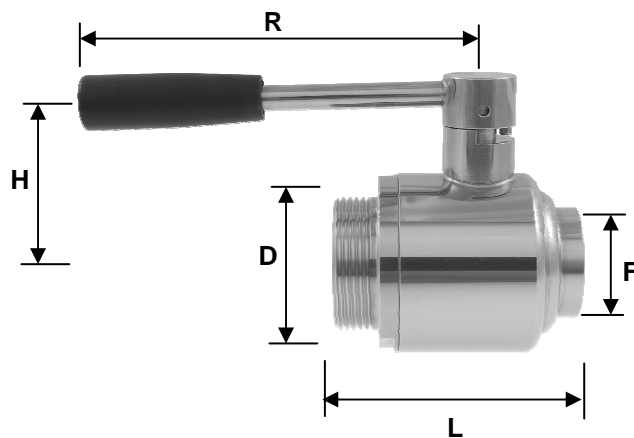


DN	Q	D	L	R	H
40	100	75	105	167	91
50	100	90	112	167	98
60	120	100	137	179	108
70	120	116	145	250	131
80	140	127	155	250	134
100	140	167	215	265	155

VALVOLA A SFERA A 2 VIE TIPO "BE"
 VANNE A BOULE 2 VOIES TIPO "BE"
 VALVULA A BOLA 2 VIAS TIPO "BE"
 BALL VALVE 2 WAYS TYPE "BE"

SALDARE - MACON
 SOUDER - MACON
 SOLDAR - MACON
 WELD - MACON

BE-SL/MC

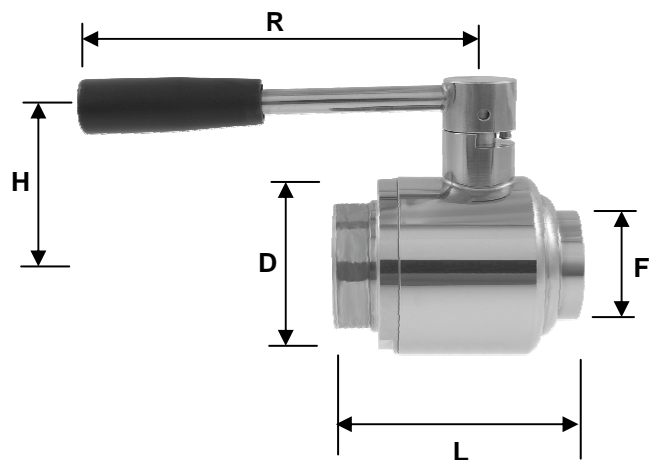


DN	F	D	L	R	H
40	43	75	105	167	91
50	53	90	112	167	98
60	63	100	137	179	108
70	73	116	145	250	131
80	83	127	155	250	134
100	103	167	215	265	155

VALVOLA A SFERA A 2 VIE TIPO "BE"
 VANNE A BOULE 2 VOIES TIPO "BE"
 VALVULA A BOLA 2 VIAS TIPO "BE"
 BALL VALVE 2 WAYS TYPE "BE"

MACON SALDARE / MACON SALDARE
 MACON SOUDER / MACON SOUDER
 MACON SOLDAR / MACON SOLDAR
 MACON WELD / MACON WELD

BE-MCSL/SL

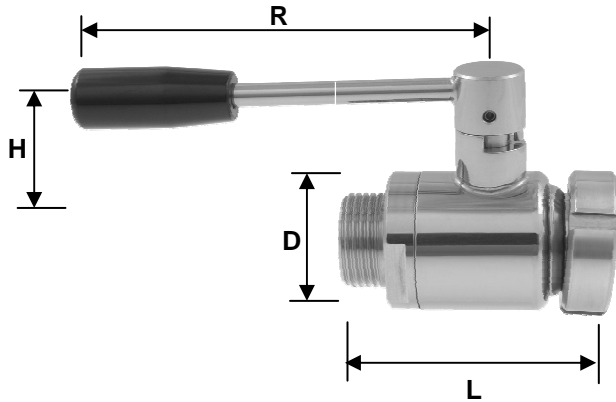


DN	F	D	L	R	H
40	43	75	96	167	91
50	53	90	104	167	98
60	63	100	120	179	108
70	73	116	137	250	131
80	83	127	147	250	134
100	103	167	180	265	155

VALVOLA A SFERA A 2 VIE TIPO "BE"
 VANNE A BOULE 2 VOIES TIPE "BE"
 VALVULA A BOLA 2 VIAS TIPO "BE"
 BALL VALVE 2 WAYS TYPE "BE"

DIN MASCHIO / GAS MASCHIO
 DIN MALE / GAS MALE
 DIN MACHO / GAS MACHO
 DIN MALE / GAS MALE

BE-DINM/GASM

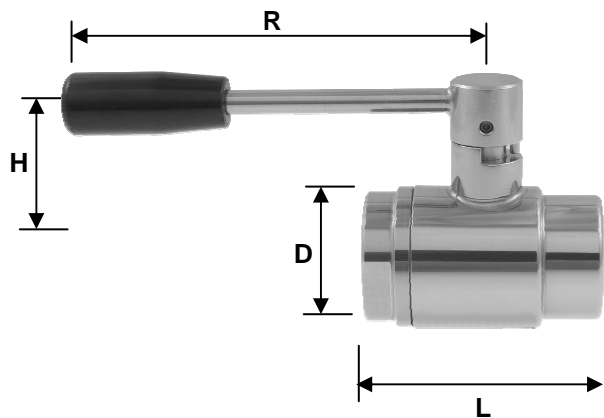


DN	DIN	GAS	D	L	R	H
25	52x1/6	1"	48	90	139	68
32	58x1/6	1"1/4	60	100	150	75
40	65x1/6	1"1/2	75	117	167	91
50	78x1/6	2"	90	122	167	98
65	95x1/6	2"1/2	116	160	250	131
80	110x1/4	3"	127	175	250	131
100	130x1/4	4"	167	216	265	155

VALVOLA A SFERA A 2 VIE TIPO "BE"
 VANNE A BOULE 2 VOIES TIPE "BE"
 VALVULA A BOLA 2 VIAS TIPO "BE"
 BALL VALVE 2 WAYS TYPE "BE"

GAS FEM / GAS FEM
 GAS FEM / GAS FEM
 GAS HEMBRA / GAS HEMBRA
 GAS FEM / GAS FEM

BE-GASF/F

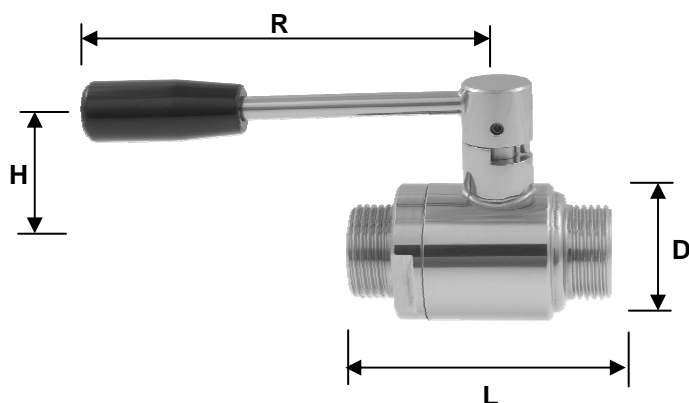


DN	GAS	D	L	R	H
25	1"	48	73	139	68
32	1"1/4	60	93	150	75
40	1"1/2	75	102	167	91
50	2"	90	113	167	98
65	2"1/2	116	144	250	131
80	3"	127	145	250	134
100	4"	167	187	265	155

VALVOLA A SFERA A 2 VIE TIPO "BE"
 VANNE A BOULE 2 VOIES TIPE "BE"
 VALVULA A BOLA 2 VIAS TIPO "BE"
 BALL VALVE 2 WAYS TYPE "BE"

GAS MASCHIO / GAS MASCHIO
 GAS MALE / GAS MALE
 GAS MACHO / GAS MACHO
 GAS MALE / GAS MALE

BE-GASM/M

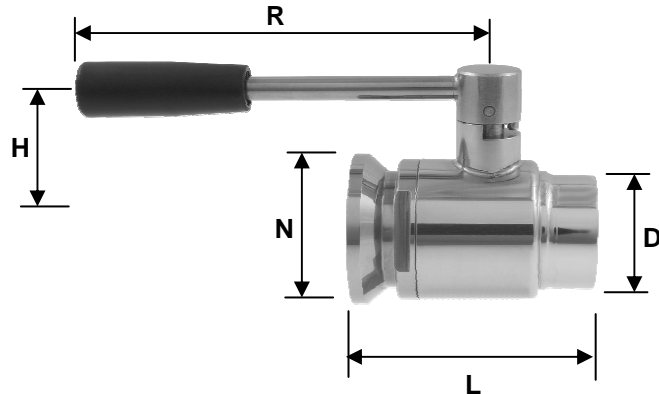


DN	GAS	D	L	R	H
25	1"	48	83	139	68
32	1"1/4	60	102	150	75
40	1"1/2	75	115	167	91
50	2"	90	125	167	98
65	2"1/2	116	162	250	131
80	3"	127	167	250	134
100	4"	167	200	265	155

VALVOLA A SFERA A 2 VIE TIPO "BE"
 VANNE A BOULE 2 VOIES TIPE "BE"
 VALVULA A BOLA 2 VIAS TIPO "BE"
 BALL VALVE 2 WAYS TYPE "BE"

GAS FEM - GAROLLA
 GAS FEM - GAROLLA
 GAS HEMBRA - GAROLLA
 GAS FEM - GAROLLA

BE-GASF/GA

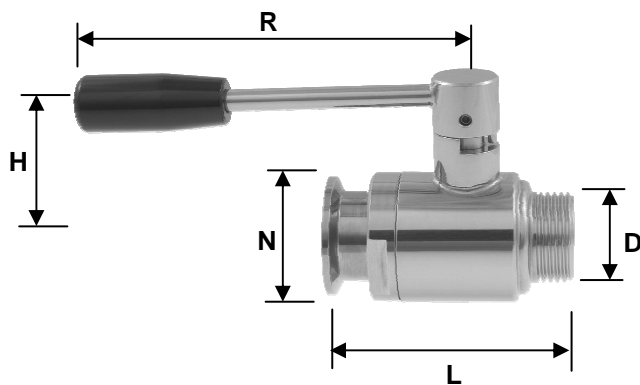


GAS	GAR	N	D	L	R	H
1"	40	65	48	78	139	68
1"1/4	40	65	60	98	150	75
1"1/2	50	75	75	108	167	91
2"	60	86	90	118	167	98
2"1/2	70	98	116	150	250	131
3"	80	108	127	152	250	134
4"	100	128	167	187	265	155

VALVOLA A SFERA A 2 VIE TIPO "BE"
 VANNE A BOULE 2 VOIES TIPE "BE"
 VALVULA A BOLA 2 VIAS TIPO "BE"
 BALL VALVE 2 WAYS TYPE "BE"

GAS MASCHIO - GAROLLA
 GAS MALE - GAROLLA
 GAS MASCHO - GAROLLA
 GAS MALE - GAROLLA

BE-GASM/GA

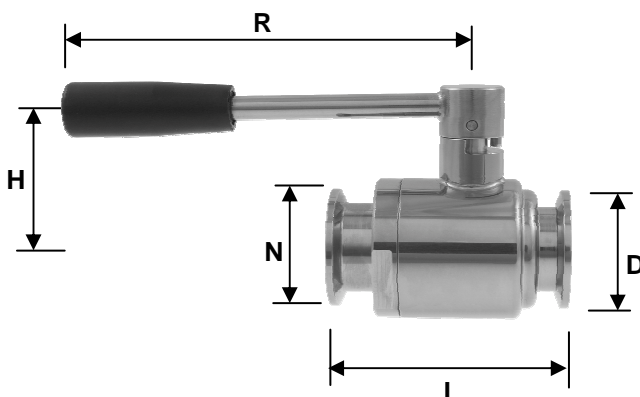


GAS	GAR	N	D	L	R	H
1"	40	65	48	78	139	68
1"1/4	40	65	60	97	150	75
1"1/2	50	75	75	110	167	91
2"	60	86	90	121	167	98
2"1/2	70	98	116	158	250	131
3"	80	108	127	160	250	134
4"	100	128	167	200	265	155

VALVOLA A SFERA A 2 VIE TIPO "BE"
 VANNE A BOULE 2 VOIES TIPE "BE"
 VALVULA A BOLA 2 VIAS TIPO "BE"
 BALL VALVE 2 WAYS TYPE "BE"

GAROLLA / GAROLLA
 GAROLLA / GAROLLA
 GAROLLA / GAROLLA
 GAROLLA / GAROLLA

BE-GA/GA

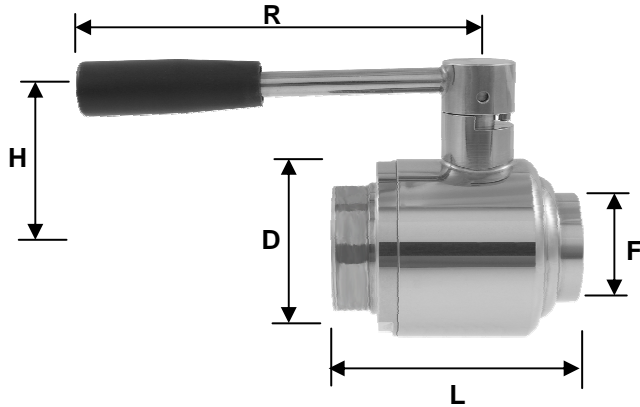


DN	GAR	N	D	L	R	H
32	40	65	60	95	150	75
40	50	75	75	108	167	91
50	60	86	90	113	167	98
65	70	98	116	150	250	131
80	80	108	127	155	250	131
100	100	128	167	195	265	155
120	120	158	196	225	300	193

VALVOLA A SFERA A 2 VIE TIPO "BE"
 VANNE A BOULE 2 VOIES TIPE "BE"
 VALVULA A BOLA 2 VIAS TIPO "BE"
 BALL VALVE 2 WAYS TYPE "BE"

GAR. SALDARE / GAR. SALDARE
 GAR. SOUDER / GAR. SOUDER
 GAR. SOLDAR / GAR. SOLDAR
 GAR. WELD / GAR. WELD

BE-GA.SL/SL

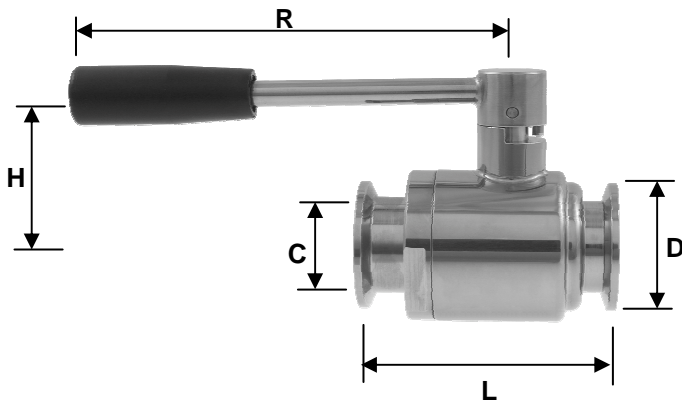


DN	GAR	F	D	L	R	H
32	40	34	42	84	128	64
40	50	40	48	96	139	68
50	60	52	60	104	150	75
65	70	70	75	137	167	91
80	80	85	90	147	167	98
100	100	104	116	180	250	131
120	120	129	127	215	250	131

VALVOLA A SFERA A 2 VIE TIPO "BE"
 VANNE A BOULE 2 VOIES TIPE "BE"
 VALVULA A BOLA 2 VIAS TIPO "BE"
 BALL VALVE 2 WAYS TYPE "BE"

CLAMP / CLAMP
 CLAMP / CLAMP
 CLAMP / CLAMP
 CLAMP / CLAMP

BE-CL/CL

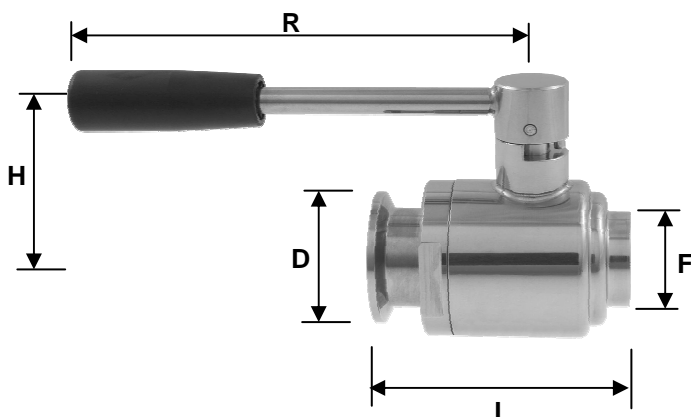


CLAMP	C	D	L	R	H
1"	50,4	42	77	128	64
1"1/2	50,4	80	93	150	75
2"	64,0	90	112	167	98
2"1/2	77,4	100	132	179	108
3"	90,9	116	146	250	131
4"	118,8	167	196	265	155

VALVOLA A SFERA A 2 VIE TIPO "BE"
 VANNE A BOULE 2 VOIES TIPE "BE"
 VALVULA A BOLA 2 VIAS TIPO "BE"
 BALL VALVE 2 WAYS TYPE "BE"

SALDARE - CLAMP
 SOUDER - CLAMP
 SOLDAR - CLAMP
 WELD - CLAMP

BE-SL/CL

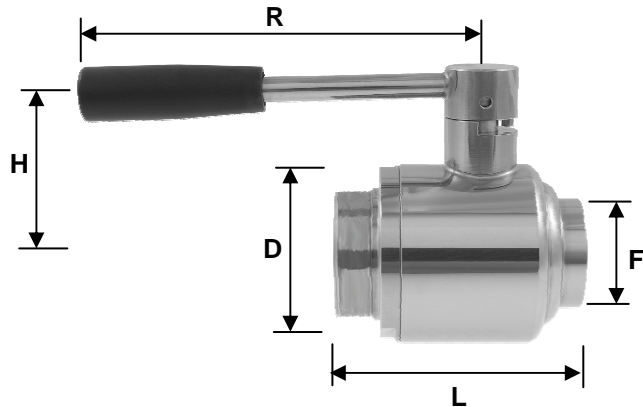


CLAMP	F	D	L	R	H
1"	25,4	42	73	128	64
1"1/2	38,1	60	89	150	75
2"	50,8	90	108	167	98
2"1/2	63,5	100	128	179	108
3"	76,1	116	142	250	131
4"	101,6	167	190	265	155

VALVOLA A SFERA A 2 VIE TIPO "BE"
 VANNE A BOULE 2 VOIES TIPE "BE"
 VALVULA A BOLA 2 VIAS TIPO "BE"
 BALL VALVE 2 WAYS TYPE "BE"

CLAMP SALDARE / CLAMP SALDARE
 CLAMP SOUDER / CLAMP SOUDER
 CLAMP SOLDAR / CLAMP SOLDAR
 CLAMP WELD / CLAMP WELD

BE-CLSL/SL

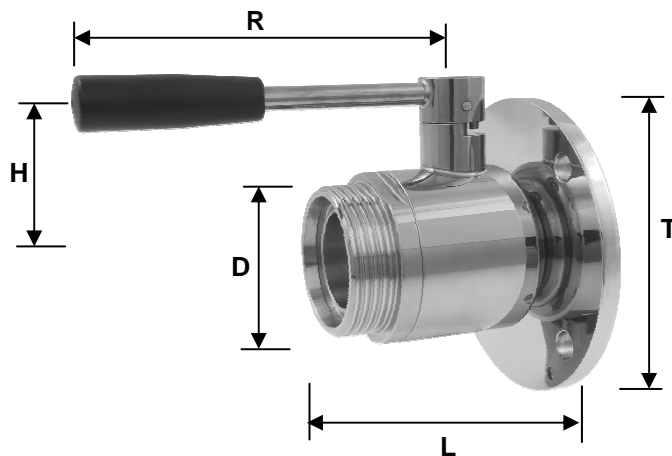


CLAMP	F	D	L	R	H
1"	25,4	42	72	128	64
1"1/2	38,1	60	84	150	75
2"	50,8	90	104	167	98
2"1/2	63,5	100	120	179	108
3"	76,1	116	137	250	131
4"	101,6	167	180	265	155

VALVOLA A SFERA A 2 VIE TIPO "BE"
 VANNE A BOULE 2 VOIES TIPE "BE"
 VALVULA A BOLA 2 VIAS TIPO "BE"
 BALL VALVE 2 WAYS TYPE "BE"

FL PN6 ENO. - DIN FEM
 FL PN6 ENO. - DIN FEM
 FL PN6 ENO. - DIN HEMBRA
 FL PN6 ENO. - DIN FEM

BE-FLENO/DINF

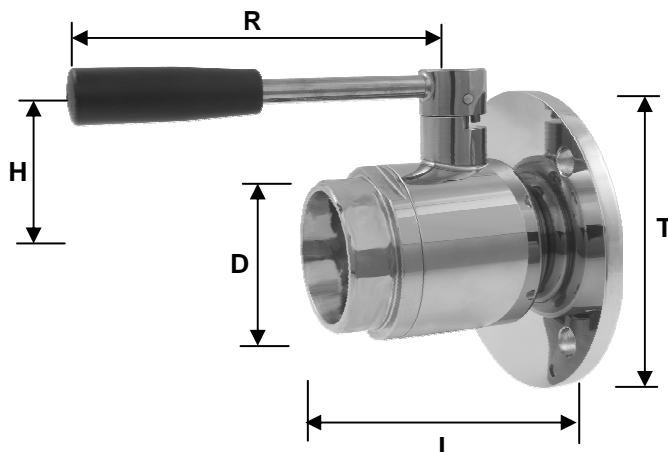


DN	T	D	L	R	H
25	100	48	83	139	68
32	120	60	93	150	75
40	130	75	108	167	91
50	140	90	112	167	98
65	160	116	147	250	131
80	190	127	154	250	134
100	210	167	193	265	155
120	240	196	216	300	193

VALVOLA A SFERA A 2 VIE TIPO "BE"
 VANNE A BOULE 2 VOIES TIPE "BE"
 VALVULA A BOLA 2 VIAS TIPO "BE"
 BALL VALVE 2 WAYS TYPE "BE"

FL PN6 ENO. - GAS FEM
 FL PN6 ENO. - GAS FEM
 FL PN6 ENO. - GAS HEMBRA
 FL PN6 ENO. - GAS FEM

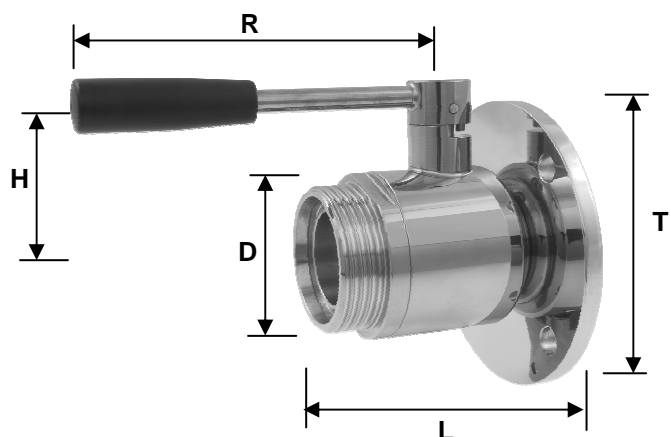
BE-FLENO/GASF



GAS	T	D	L	R	H
1"	100	48	68	139	68
1"1/4	120	60	81	150	75
1"1/2	130	75	98	167	91
2"	140	90	103	167	98
2"1/2	160	116	135	250	131
3"	190	127	142	250	131
4"	210	167	188	265	155

VALVOLA A SFERA A 2 VIE TIPO "BE" FL PN6 ENO. - GAS MASCHIO
 VANNE A BOULE 2 VOIES TIPE "BE" FL PN6 ENO. - GAS MALE
 VALVULA A BOLA 2 VIAS TIPO "BE" FL PN6 ENO. - GAS MACHO
 BALL VALVE 2 WAYS TYPE "BE" FL PN6 ENO. - GAS MALE

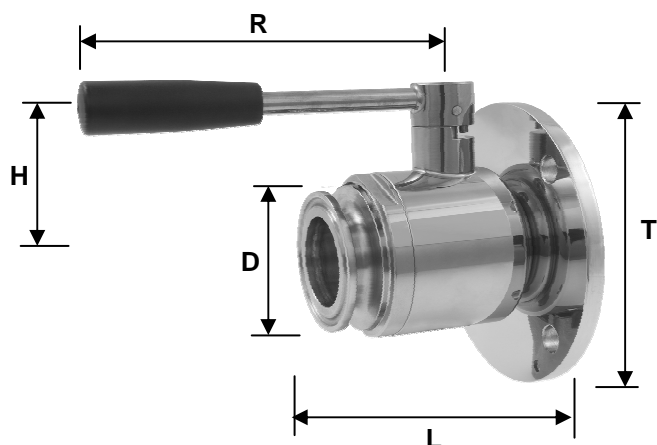
BE-FLENO/GASM



DN	GAS	T	D	L	R	H
25	1"	100	48	78	139	68
32	1"1/4	120	60	90	150	75
40	1"1/2	130	75	107	167	91
50	2"	140	90	112	167	98
65	2"1/2	160	116	148	250	131
80	3"	190	127	154	250	131
100	4"	210	167	190	265	155

VALVOLA A SFERA A 2 VIE TIPO "BE" FL PN6 ENO. - GAROLLA
 VANNE A BOULE 2 VOIES TIPE "BE" FL PN6 ENO. - GAROLLA
 VALVULA A BOLA 2 VIAS TIPO "BE" FL PN6 ENO. - GAROLLA
 BALL VALVE 2 WAYS TYPE "BE" FL PN6 ENO. - GAROLLA

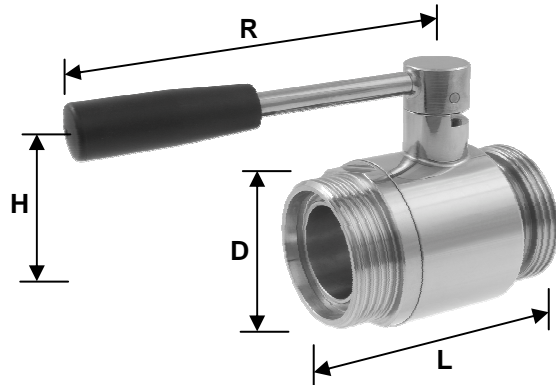
BE-FLENO/GA



DN	GAR	T	D	L	R	H
25	40	100	48	74	139	68
32	40	120	60	87	150	75
40	50	130	75	103	167	91
50	60	140	90	108	167	98
65	70	160	116	141	250	131
80	80	190	127	148	250	134
100	100	210	167	187	265	155
120	120	240	196	211	300	193

VALVOLA A SFERA A 2 VIE TIPO "BE" DIN FEM / DIN FEM
 VANNE A BOULE 2 VOIES TIPE "BE" DIN FEM / DIN FEM
 VALVULA A BOLA 2 VIAS TIPO "BE" DIN HEMBRA / DIN HEMBRA
 BALL VALVE 2 WAYS TYPE "BE" DIN FEM / DIN FEM

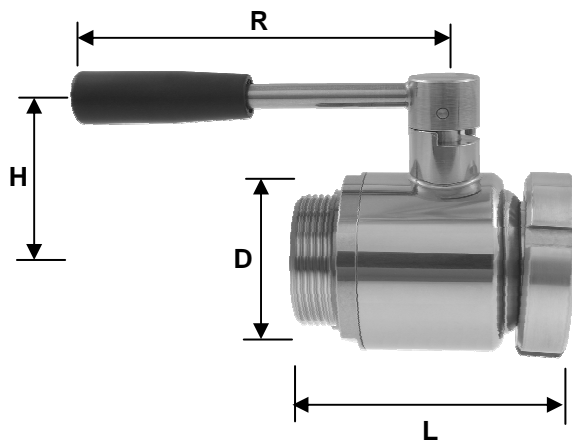
BE-DINF/F



DN	D	L	R	H
25	48	92	139	68
32	60	102	150	75
40	75	118	167	91
50	90	122	167	98
65	116	169	250	131
80	127	169	250	131
100	167	210	265	155
120	196	235	300	193

VALVOLA A SFERA A 2 VIE TIPO "BE" DIN MASCHIO - DIN FEM
 VANNE A BOULE 2 VOIES TIPE "BE" DIN MALE - DIN FEM
 VALVULA A BOLA 2 VIAS TIPO "BE" DIN MACHO - DIN FEM
 BALL VALVE 2 WAYS TYPE "BE" DIN MALE - DIN FEM

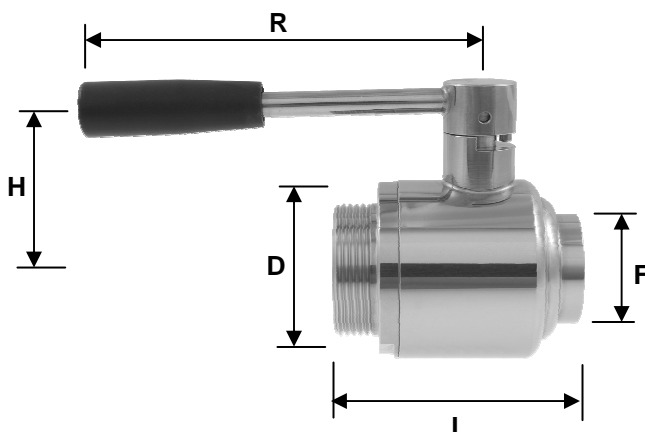
BE-DINM/F



DN	D	L	R	H
25	48	95	139	68
32	60	105	150	75
40	75	116	167	91
50	90	122	167	98
65	116	160	250	131
80	127	176	250	131
100	167	219	265	155
120	196	138	300	193

VALVOLA A SFERA A 2 VIE TIPO "BE" DIN FEM/SALDARE
 VANNE A BOULE 2 VOIES TIPE "BE" DIN FEM/ SOUDER
 VALVULA A BOLA 2 VIAS TIPO "BE" DIN HEMBRA / SOLDAR
 BALL VALVE 2 WAYS TYPE "BE" DIN FEM / WELD

BE-DINF/SL

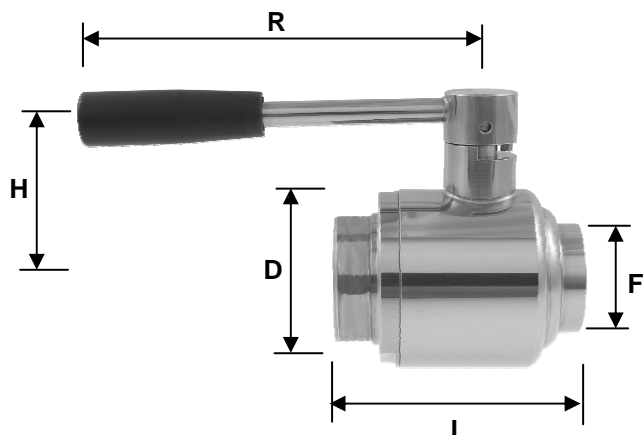


DN	F	D	L	R	H
25	28	48	82	139	68
32	34	60	93	150	75
40	40	75	105	167	91
50	52	90	112	167	98
65	70	116	145	250	131
80	85	127	157	250	131
100	104	167	193	265	155
120	129	196	225	300	193

VALVOLA A SFERA A 2 VIE TIPO "BE"
 VANNE A BOULE 2 VOIES TIPE "BE"
 VALVULA A BOLA 2 VIAS TIPO "BE"
 BALL VALVE 2 WAYS TYPE "BE"

DIN SALDARE / DIN SALDARE
 DIN SOUDER / DIN SOUDER
 DIN SOLDAR / DIN SOLDAR
 DIN WELD / DIN WELD

BE-DINSL/SL

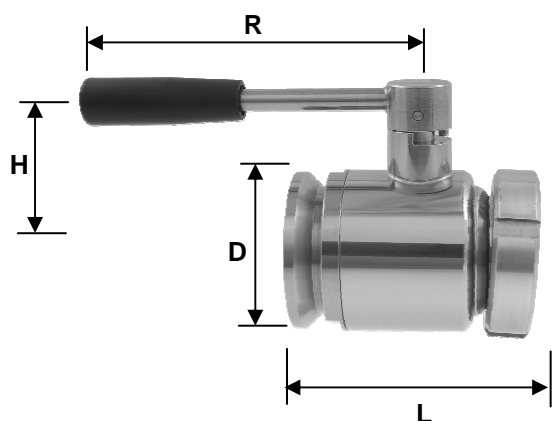


DN	F	D	L	R	H
25	28	48	72	139	68
32	34	60	84	150	75
40	40	75	96	167	91
50	52	90	104	167	98
65	70	116	137	250	131
80	85	127	147	250	131
100	104	167	180	265	155
120	129	196	215	300	193

VALVOLA A SFERA A 2 VIE TIPO "BE"
 VANNE A BOULE 2 VOIES TIPE "BE"
 VALVULA A BOLA 2 VIAS TIPO "BE"
 BALL VALVE 2 WAYS TYPE "BE"

DIN MASCHIO - GAROLLA
 DIN MALE - GAROLLA
 DIN MACHO - GAROLLA
 DIN MALE - GAROLLA

BE-DINM/GA

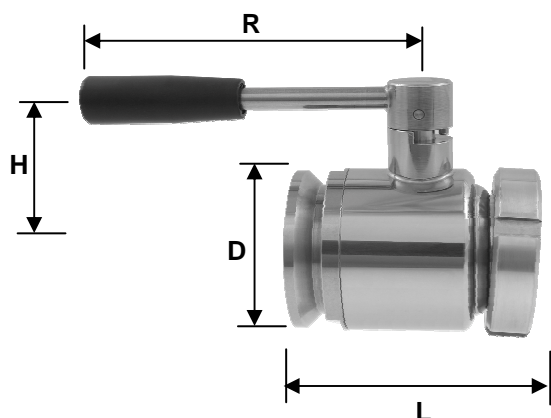


DN	GAR	D	L	R	H
40	40	75	115	150	75
50	50	90	120	167	91
65	70	116	155	167	98
80	80	127	170	250	131
100	100	167	215	250	134
120	120	196	230	265	155

VALVOLA A SFERA A 2 VIE TIPO "BE"
 VANNE A BOULE 2 VOIES TIPE "BE"
 VALVULA A BOLA 2 VIAS TIPO "BE"
 BALL VALVE 2 WAYS TYPE "BE"

DIN MASCHIO - GAROLLA -PASS. RID.-
 DIN MALE - GAROLLA -PASS. RED-
 DIN MACHO - GAROLLA -PAS. RED.-
 DIN MALE - GAROLLA -REDUCTED PASS.-

BE-DINM/GA R.

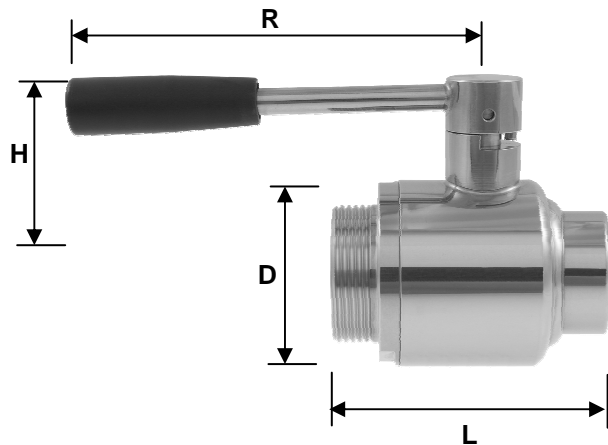


DN	GAR	D	L	R	H
25	40	48	85	139	68
32	40	60	100	139	68
40	50	75	115	150	75
50	60	90	120	167	91
65	70	116	155	167	98
80	80	127	170	250	131
100	100	167	215	250	134
120	120	196	230	265	155

VALVOLA A SFERA A 2 VIE TIPO "BE"
 VANNE A BOULE 2 VOIES TIPE "BE"
 VALVULA A BOLA 2 VIAS TIPO "BE"
 BALL VALVE 2 WAYS TYPE "BE"

DIN FEM/GAS FEM
 DIN FEM/ GAS FEM
 DIN HEMBRA / GAS HEMBRA
 DIN FEM / GAS FEM

BE-DINF/GASF

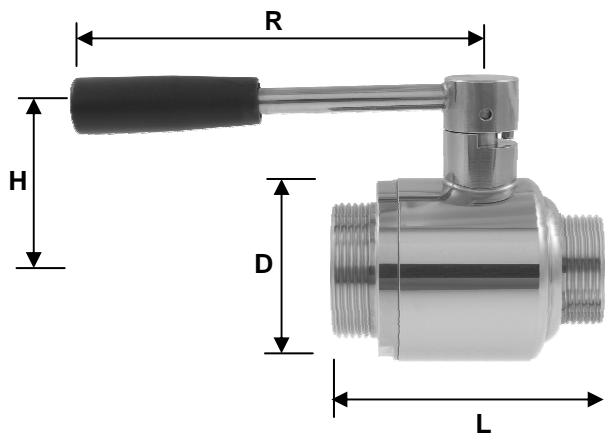


DN	GAS	D	L	R	H
25	1"	48	88	139	68
32	1"1/4	60	104	150	75
40	1"1/2	75	112	167	91
50	2"	90	122	167	98
65	2"1/2	116	150	250	131
80	3"	127	157	250	134
100	4"	167	190	265	155

VALVOLA A SFERA A 2 VIE TIPO "BE"
 VANNE A BOULE 2 VOIES TIPE "BE"
 VALVULA A BOLA 2 VIAS TIPO "BE"
 BALL VALVE 2 WAYS TYPE "BE"

DIN FEM/GAS MASCHIO
 DIN FEM/ GAS MALE
 DIN HEMBRA / GAS MACHO
 DIN FEM / GAS MALE

BE-DINF/GASM

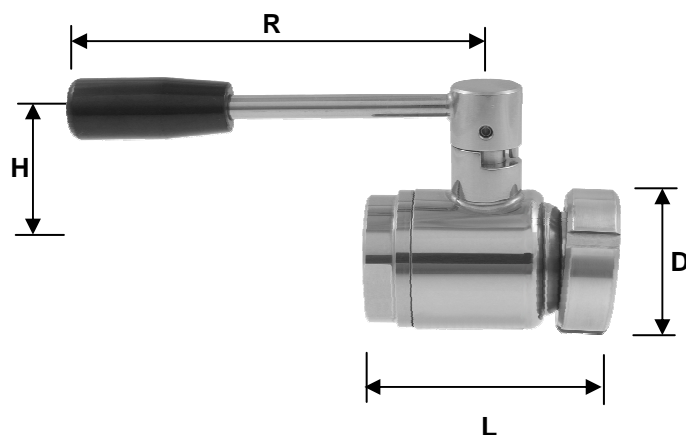


DN	GAS	D	L	R	H
25	1"	48	88	139	68
32	1"1/4	60	106	150	75
40	1"1/2	75	116	167	91
50	2"	90	128	167	98
65	2"1/2	116	160	250	131
80	3"	127	167	250	131
100	4"	167	205	265	155

VALVOLA A SFERA A 2 VIE TIPO "BE"
 VANNE A BOULE 2 VOIES TIPE "BE"
 VALVULA A BOLA 2 VIAS TIPO "BE"
 BALL VALVE 2 WAYS TYPE "BE"

DIN MASCHIO / GAS FEM
 DIN MALE / GAS FEM
 DIN MACHO / GAS HEMBRA
 DIN MALE / GAS FEM

BE-DINM/GASF



DN	GAS	D	L	R	H
25	1"	48	90	139	68
32	1"1/4	60	94	150	75
40	1"1/2	75	110	167	91
50	2"	90	114	167	98
65	2"1/2	116	147	250	131
80	3"	127	165	250	131
100	4"	167	216	265	155

VALVOLE A FARFALLA

VANNES A PAPILLON
VALVULAS A MARIPOSA
BUTTERFLY VALVES

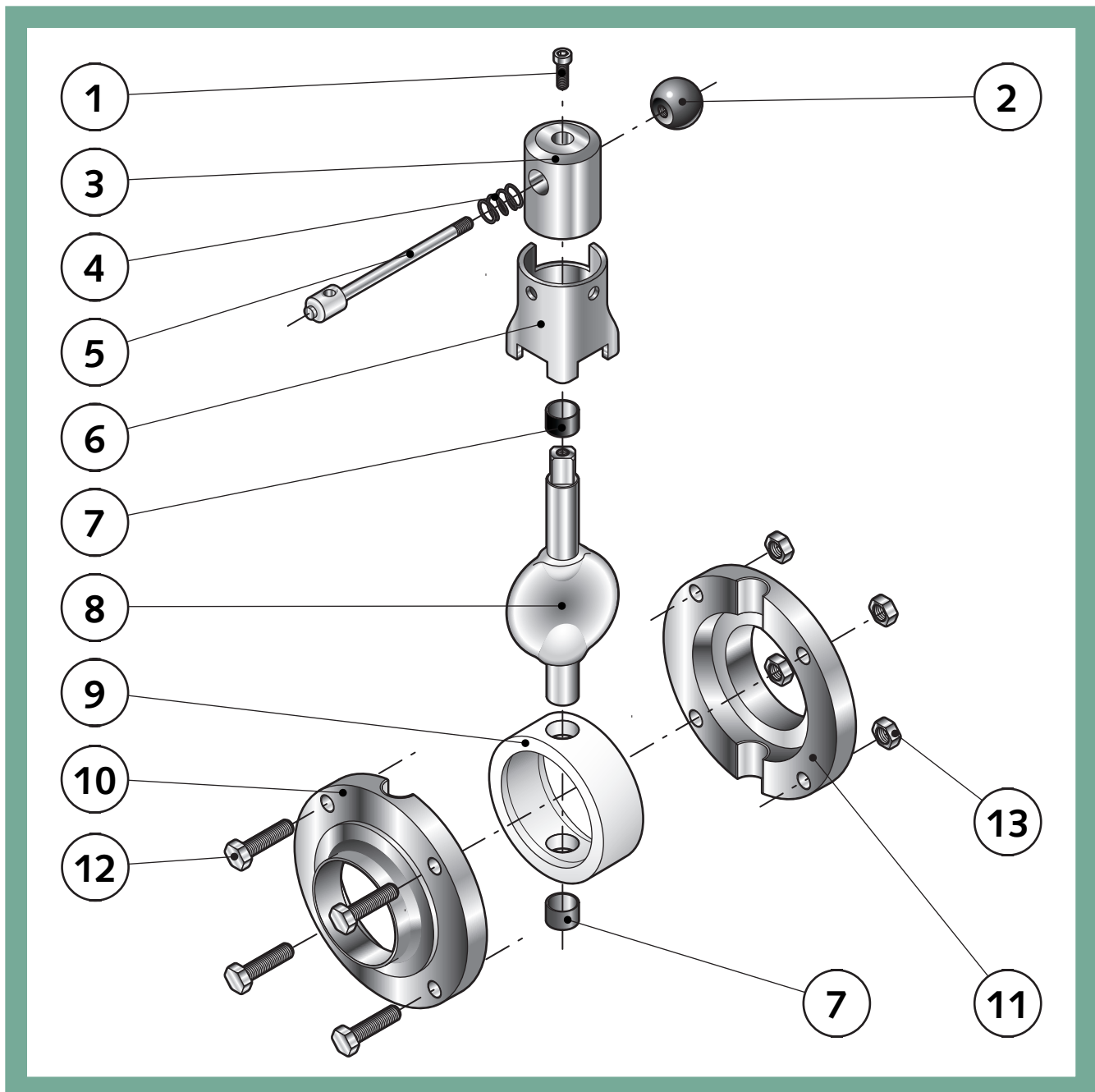


VALVOLA A FARFALLA "PA"

VANNE A PAPILLON "PA"

VALVULA A MARIPOSA "PA"

"PA" BUTTERFLY VALVE



1 - Vite / Vis / Tornillo / Screw (TCE M5 x 12)

2 - Impugnatura a sfera / Poignée à boule / Empuñadura a esfera / Ball handle

3 - Cilindro di comando / Cylindre de commande / Cilindro de comando / Control roll

4 - Molla di richiamo / Ressort de rappel / Resorte / Return spring

5 - Asta di comando / Tige de command / Asta de comando / Control rod

6 - Bussola / Fourreau / Porta cilindro / Bushing

7 - Antifrizione / Antifriction / Antifricción / Antifriction

8 - Otturatore a farfalla / Papillon / Obturador a mariposa / Butterfly

9 - Guarnizione di tenuta / Joint d'étanchéité / Junta hermetica / Hermetic seal

10 - Attacco di ingresso / Attache d'admission / Conexión de ingreso / Inlet fastening

11 - Attacco di uscita / Attache de redement / Conexión de salida / Output fastening

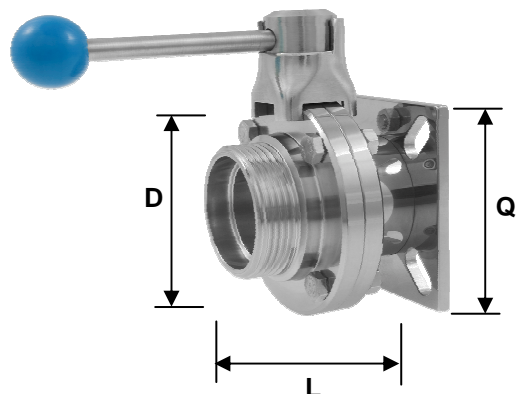
12 - Viti di serraggio / Vis de blocage de vanne / Tornillo de cerraje / Valve locking screws

13 - Dadi esagonali / Ecrou hexagonal / Tuerca hexagonal / Exagonal nuts

VALVOLA A FARFALLA TIPO " PA "
 VANNE PAPILLON TIPE "PA"
 VALVULA MARIPOSA TIPO "PA"
 BUTTERFLY VALVE TYPE "PA"

FLANGIA QUADRA - SMS
 BRIDE CARRE - SMS
 BRIDA CUADRADA - SMS
 SQUARE FLANGE - SMS

PA-FLQ/SMS

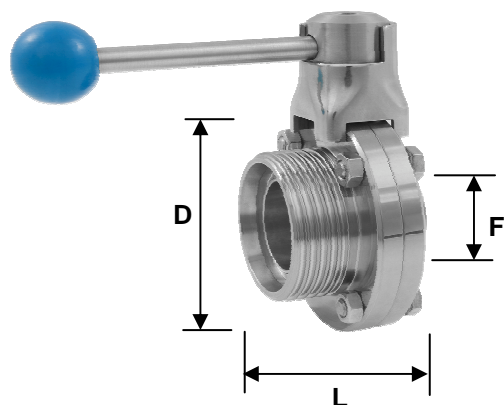


DN	Q	D	L
38	100	85	64
51	100	105	72
63	120	125	76
76	120	125	76
101/104	140	158	104

VALVOLA A FARFALLA TIPO " PA "
 VANNE PAPILLON TIPE "PA"
 VALVULA MARIPOSA TIPO "PA"
 BUTTERFLY VALVE TYPE "PA"

SALDARE - SMS
 SOUDER - SMS
 SOLDAR - SMS
 WELD - SMS

PA-SL/SMS

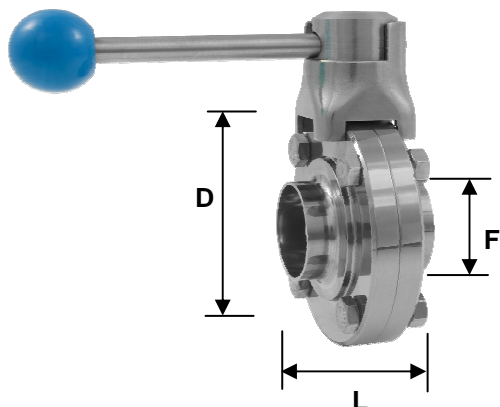


DN	F	D	L
38	38,1	85	53
51	50,8	105	61
63	63,5	125	63
76	76,1	125	63
101/104	101,6	158	84

VALVOLA A FARFALLA TIPO " PA "
 VANNE PAPILLON TIPE "PA"
 VALVULA MARIPOSA TIPO "PA"
 BUTTERFLY VALVE TYPE "PA"

SMS SALDARE - SMS SALDARE
 SMS SOUDER - SMS SALDARE
 SMS SOLDAR - SMS SOLDAR
 SMS WELD - SMS WELD

PA-SMSSL/SL

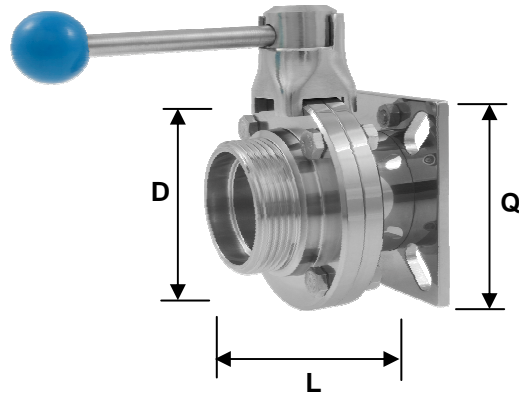


DN	F	D	L
38	38,1	85	42
51	50,8	105	50
63	63,5	125	50
76	76,1	125	50
101/104	101,6	158	64

VALVOLA A FARFALLA TIPO "PA"
 VANNE PAPILLON TIPE "PA"
 VALVULA MARIPOSA TIPO "PA"
 BUTTERFLY VALVE TYPE "PA"

FLANGIA QUADRA - MACON
 BRIDE CARRE - MACON
 BRIDA CUADRADA - MACON
 SQUARE FLANGE - MACON

PA-FLQ/MC

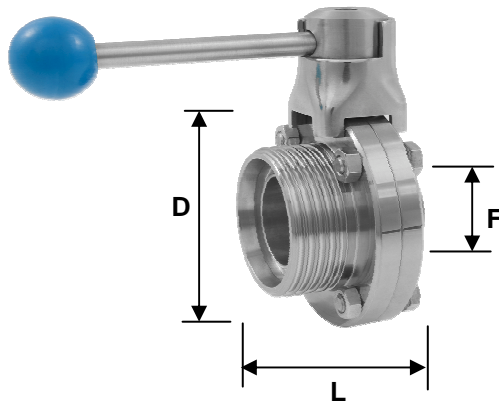


DN	Q	D	L
40	100	93	72
50	100	105	72
60	120	125	76
70	120	125	76
80	140	139	100
100	140	158	104

VALVOLA A FARFALLA TIPO "PA"
 VANNE PAPILLON TIPE "PA"
 VALVULA MARIPOSA TIPO "PA"
 BUTTERFLY VALVE TYPE "PA"

SALDARE - MACON
 SOUDER - MACON
 SOLDAR - MACON
 WELD - MACON

PA-SL/MC

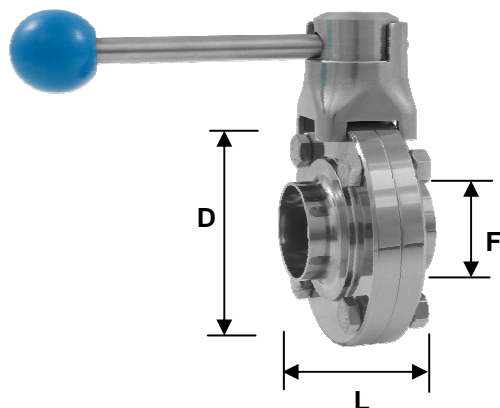


DN	F	D	L
40	43	93	61
50	53	105	61
60	63	125	63
70	73	125	63
80	83	139	80
100	103	158	84

VALVOLA A FARFALLA TIPO "PA"
 VANNE PAPILLON TIPE "PA"
 VALVULA MARIPOSA TIPO "PA"
 BUTTERFLY VALVE TYPE "PA"

MACON SALDARE - MACON SALDARE
 MACON SOUDER - MACON SALDARE
 MACON SOLDAR - MACON SOLDAR
 MACON WELD - MACON WELD

PA-MCSL/SL

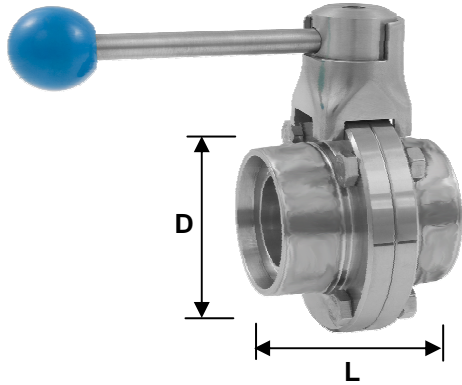


DN	F	D	L
40	43	93	50
50	53	105	50
60	63	125	50
70	73	125	50
80	83	139	60
100	103	158	64

VALVOLA A FARFALLA TIPO " PA "
 VANNE PAPILLON TIPE "PA"
 VALVULA MARIPOSA TIPO "PA"
 BUTTERFLY VALVE TYPE "PA"

GAS FEM / GAS FEM
 GAS FEM / GAS FEM
 GAS HEMBRA / GAS HEMBRA
 GAS FEM / GAS FEM

PA-GASF/F

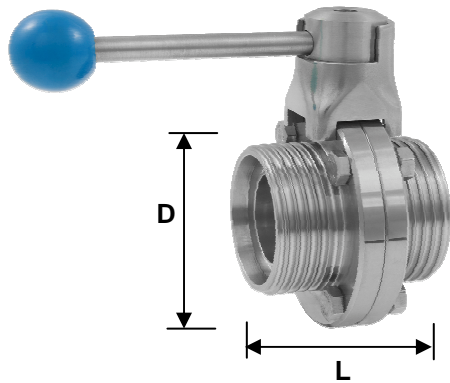


DN	GAS	D	L
25	1"	80	64
32	1"1/4	85	64
40	1"1/2	93	72
50	2"	105	72
65	2"1/2	125	76
80	3"	139	100
100	4"	158	104

VALVOLA A FARFALLA TIPO " PA "
 VANNE PAPILLON TIPE "PA"
 VALVULA MARIPOSA TIPO "PA"
 BUTTERFLY VALVE TYPE "PA"

GAS MASCHIO / GAS MASCHIO
 GAS MALE / GAS MALE
 GAS MACHO / GAS MACHO
 GAS MALE / GAS MALE

PA-GASM/M

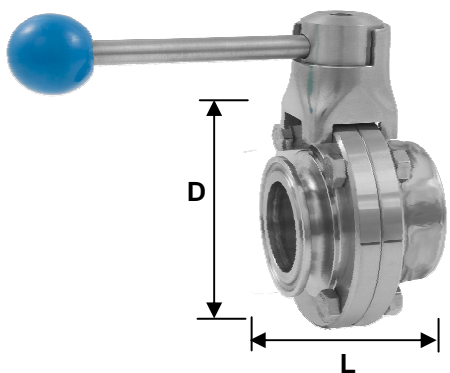


DN	GAS	D	L
25	1"	80	64
32	1"1/4	85	64
40	1"1/2	93	72
50	2"	105	72
65	2"1/2	125	76
80	3"	139	100
100	4"	158	104

VALVOLA A FARFALLA TIPO " PA "
 VANNE PAPILLON TIPE "PA"
 VALVULA MARIPOSA TIPO "PA"
 BUTTERFLY VALVE TYPE "PA"

GAS FEM - GAROLLA
 GAS FEM - GAROLLA
 GAS HEMBRA - GAROLLA
 GAS FEM - GAROLLA

PA-GASF/GA

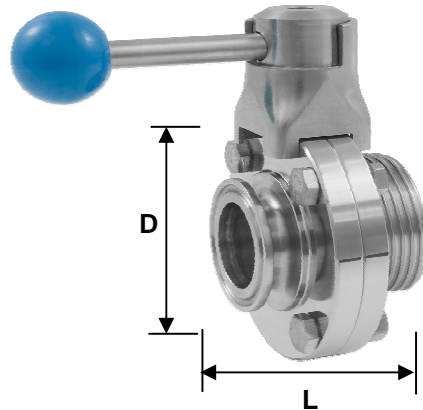


DN	GAS	GAR	D	L
32	1"1/4	40	85	64
40	1"1/2	50	93	72
50	2"	60	105	72
65	2"1/2	70	125	76
80	3"	80	139	100
100	4"	100	158	104

VALVOLA A FARFALLA TIPO "PA"
 VANNE PAPILLON TIPE "PA"
 VALVULA MARIPOSA TIPO "PA"
 BUTTERFLY VALVE TYPE "PA"

GAS MASCHIO - GAROLLA
 GAS MALE - GAROLLA
 GAS MASCHO - GAROLLA
 GAS MALE - GAROLLA

PA-GASM/GA

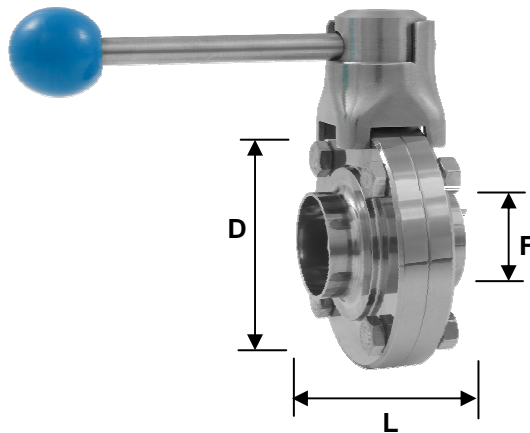


DN	GAS	GAR	D	L
32	1"1/4	40	85	64
40	1"1/2	50	93	72
50	2"	60	105	72
65	2"1/2	70	125	76
80	3"	80	139	100
100	4"	100	158	104

VALVOLA A FARFALLA TIPO "PA"
 VANNE PAPILLON TIPE "PA"
 VALVULA MARIPOSA TIPO "PA"
 BUTTERFLY VALVE TYPE "PA"

GAS SILDARE / GAS SILDARE
 GAS SOUDER / GAS SOUDER
 GAS SOLDAR / GAS SOLDAR
 GAS WELD / GAS WELD

PA-GASSL/SL

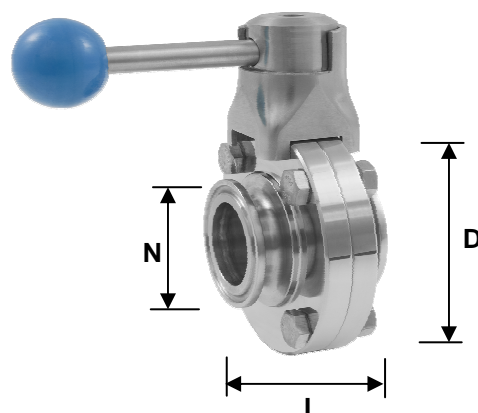


DN	GAS	F	D	L
25	1"	33,7	80	40
32	1"1/4	42,4	85	42
40	1"1/2	48,3	93	50
50	2"	60,3	105	50
65	2"1/2	76,1	125	50
80	3"	88,9	139	60
100	4"	114,3	158	64

VALVOLA A FARFALLA TIPO "PA"
 VANNE PAPILLON TIPE "PA"
 VALVULA MARIPOSA TIPO "PA"
 BUTTERFLY VALVE TYPE "PA"

GAROLLA / GAROLLA
 GAROLLA / GAROLLA
 GAROLLA / GAROLLA
 GAROLLA / GAROLLA

PA-GA/GA

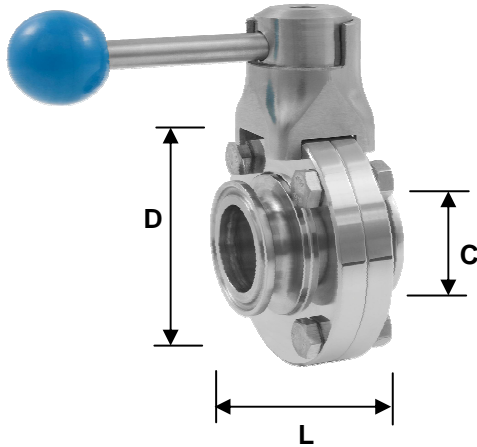


DN	GAR	N	D	L
25	40	65	80	64
32	40	65	85	64
40	50	65	93	72
50	60	75	105	72
65	70	108	125	76
80	80	108	139	100
100	100	128	158	104

VALVOLA A FARFALLA TIPO " PA "
 VANNE PAPILLON TIPE "PA"
 VALVULA MARIPOSA TIPO "PA"
 BUTTERFLY VALVE TYPE "PA"

CLAMP-CLAMP
 CLAMP-CLAMP
 CLAMP-CLAMP
 CLAMP-CLAMP

PA-CL/CL

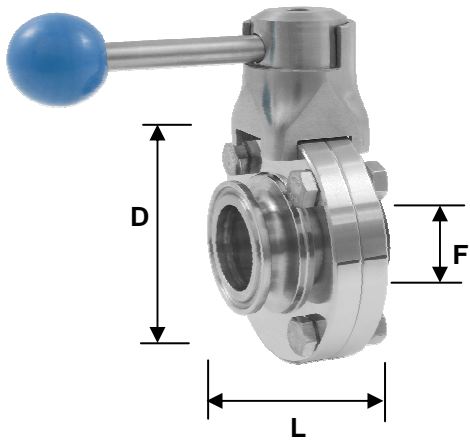


CLAMP	C	D	L
1"	50,4	80	64
1"1/2	50,4	85	64
2"	64,0	105	72
2"1/2	77,0	125	76
3"	90,9	139	76
4"	118,8	158	104

VALVOLA A FARFALLA TIPO " PA "
 VANNE PAPILLON TIPE "PA"
 VALVULA MARIPOSA TIPO "PA"
 BUTTERFLY VALVE TYPE "PA"

SALDARE - CLAMP
 SOUDER - CLAMP
 SOLDAR - CLAMP
 WELD - CLAMP

PA-SL/CL

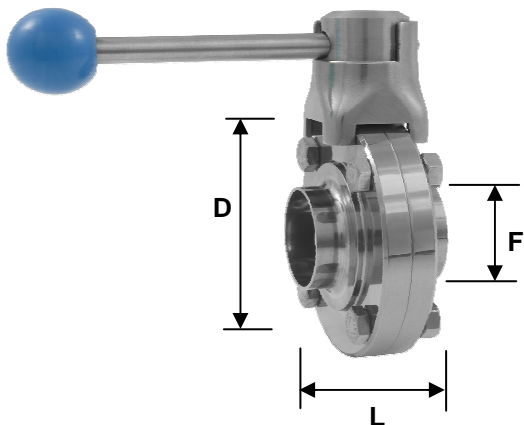


CLAMP	F	D	L
1"	25,4	80	52
1"1/2	38,1	85	53
2"	50,8	105	61
2"1/2	63,5	125	63
3"	76,1	139	63
4"	101,6	158	84

VALVOLA A FARFALLA TIPO " PA "
 VANNE PAPILLON TIPE "PA"
 VALVULA MARIPOSA TIPO "PA"
 BUTTERFLY VALVE TYPE "PA"

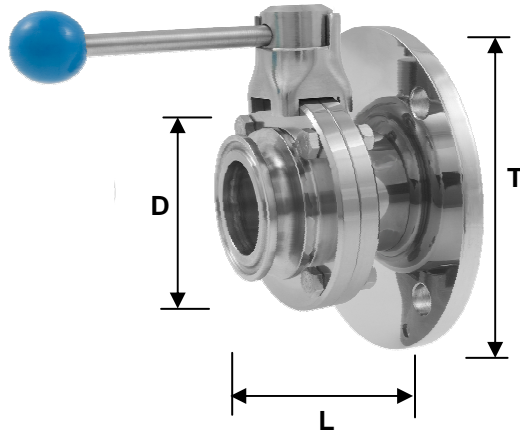
CLAMP SALDARE / CLAMP SALDARE
 CLAMP SOUDER / CLAMP SOUDER
 CLAMP SOLDAR / CLAMP SOLDAR
 CLAMP WELD / CLAMP WELD

PA-CLSL/SL



CLAMP	F	D	L
1"	25,4	80	40
1"1/2	38,1	85	42
2"	50,8	105	50
2"1/2	63,5	125	50
3"	76,1	139	50
4"	101,6	158	64

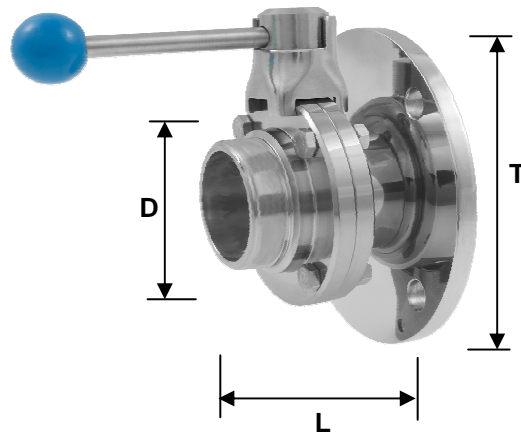
VALVOLA A FARFALLA TIPO " PA " FL PN6 ENO. - GAROLLA
 VANNE PAPILLON TIPE "PA" FL PN6 ENO. - GAROLLA
 VALVULA MARIPOSA TIPO "PA" FL PN6 ENO. - GAROLLA
 BUTTERFLY VALVE TYPE "PA" FL PN6 ENO. - GAROLLA



PA-FLENO/GA

DN	GAS	T	D	L
25	40	100	80	64
32	40	120	85	64
40	50	130	93	72
50	60	140	105	72
65	70	160	125	76
80	80	190	139	100
100	100	210	158	104

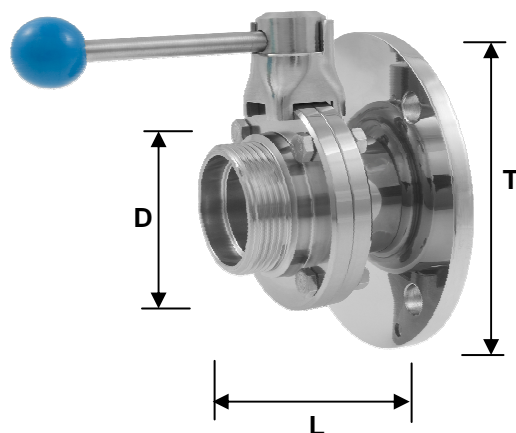
VALVOLA A FARFALLA TIPO " PA " FL PN6 ENO. - GAS FEM
 VANNE PAPILLON TIPE "PA" FL PN6 ENO. - GAS FEM
 VALVULA MARIPOSA TIPO "PA" FL PN6 ENO. - GAS HEMBRA
 BUTTERFLY VALVE TYPE "PA" FL PN6 ENO. - GAS FEM



PA-FLENO/GASF

DN	GAS	T	D	L
25	1"	100	87	64
32	1"1/4	120	92	64
40	1"1/2	130	97	72
50	2"	140	110	72
65	2"1/2	160	127	76
80	3"	190	142	100
100	4"	210	162	104

VALVOLA A FARFALLA TIPO " PA " FL PN6 ENO. - GAS MASCHIO
 VANNE PAPILLON TIPE "PA" FL PN6 ENO. - GAS MALE
 VALVULA MARIPOSA TIPO "PA" FL PN6 ENO. - GAS MACHO
 BUTTERFLY VALVE TYPE "PA" FL PN6 ENO. - GAS MALE



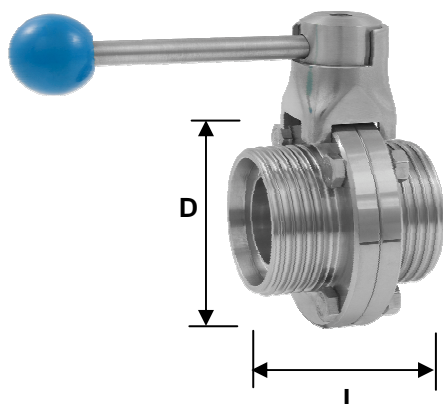
PA-FLENO/GASM

DN	GAS	T	D	L
25	1"	100	87	64
32	1"1/4	120	92	64
40	1"1/2	130	97	72
50	2"	140	110	72
65	2"1/2	160	127	76
80	3"	190	142	100
100	4"	210	162	104

VALVOLA A FARFALLA TIPO "PA"
 VANNE PAPILLON TIPE "PA"
 VALVULA MARIPOSA TIPO "PA"
 BUTTERFLY VALVE TYPE "PA"

DIN FEM / DIN FEM
 DIN FEM / DIN FEM
 DIN HEMBRA / DIN HEMBRA
 DIN FEM / DIN FEM

PA-DINF/F

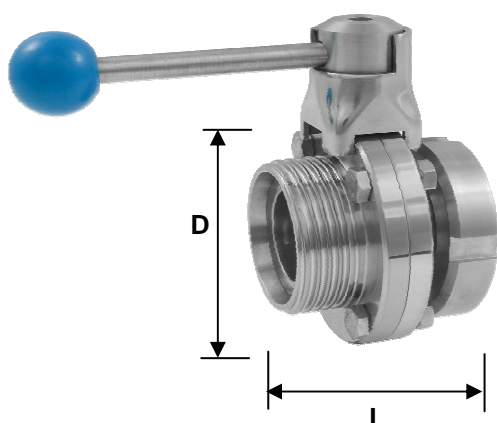


DN	DIN	D	L
25	52x1/6	87	64
32	58x1/6	92	64
40	65x1/6	97	72
50	78x1/6	110	72
65	95x1/6	127	76
80	110x1/4	142	100
100	130x1/4	162	104

VALVOLA A FARFALLA TIPO "PA"
 VANNE PAPILLON TIPE "PA"
 VALVULA MARIPOSA TIPO "PA"
 BUTTERFLY VALVE TYPE "PA"

DIN MASCHIO - DIN FEM
 DIN MALE - DIN FEM
 DIN MACHO - DIN HEMBRA
 DIN MALE - DIN FEM

PA-DINM/F

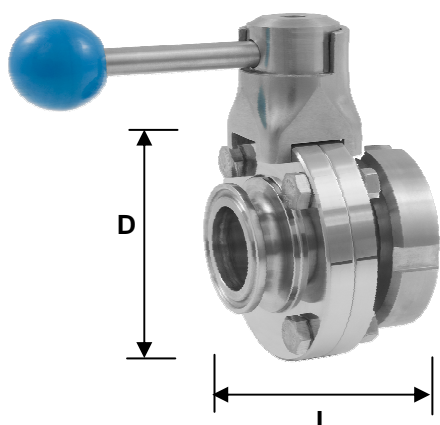


DN	DIN	D	L
25	52x1/6	87	72
32	58x1/6	92	76
40	65x1/6	97	85
50	78x1/6	110	85
65	95x1/6	127	93
80	110x1/4	142	115
100	130x1/4	162	126

VALVOLA A FARFALLA TIPO "PA"
 VANNE PAPILLON TIPE "PA"
 VALVULA MARIPOSA TIPO "PA"
 BUTTERFLY VALVE TYPE "PA"

DIN MASCHIO - GAROLLA
 DIN MALE - GAROLLA
 DIN MACHO - GAROLLA
 DIN MALE - GAROLLA

PA-DINM/GA

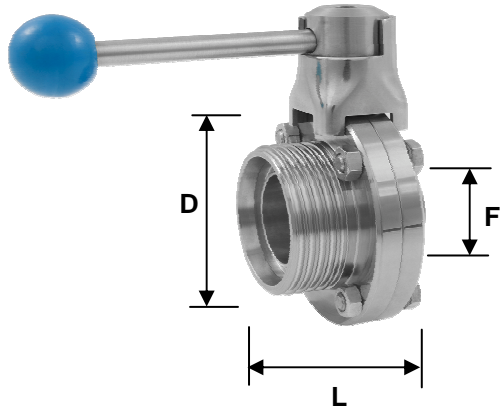


DN	DIN	GAR	D	L
25	52x1/6	40	87	72
32	58x1/6	40	92	76
40	65x1/6	50	97	85
50	78x1/6	60	110	85
65	95x1/6	70	127	93
80	110x1/4	80	142	115
100	130x1/4	100	162	126

VALVOLA A FARFALLA TIPO " PA "
 VANNE PAPILLON TIPE "PA"
 VALVULA MARIPOSA TIPO "PA"
 BUTTERFLY VALVE TYPE "PA"

DIN FEM/SALDARE
 DIN FEM/ SOUDER
 DIN HEMBRA / SOLDAR
 DIN FEM / WELD

PA-DINF/SL

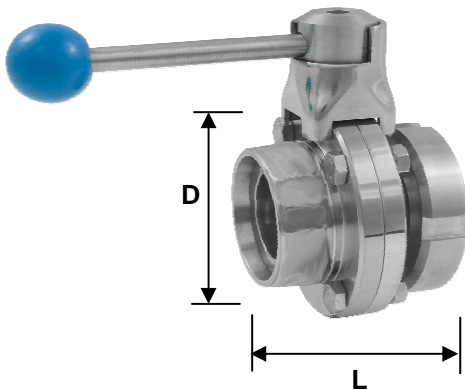


DN	DIN	F	D	L
25	52x1/6	29	87	52
32	58x1/6	34	92	53
40	65x1/6	41	97	61
50	78x1/6	53	110	61
65	95x1/6	70	127	63
80	110x1/4	85	142	80
100	130x1/4	104	162	84

VALVOLA A FARFALLA TIPO " PA "
 VANNE PAPILLON TIPE "PA"
 VALVULA MARIPOSA TIPO "PA"
 BUTTERFLY VALVE TYPE "PA"

DIN MASCHIO/GAS FEM
 DIN MALE/ GAS FEM
 DIN MACHO / GAS HEMBRA
 DIN MALE / GAS FEM

PA-DINM/GASF

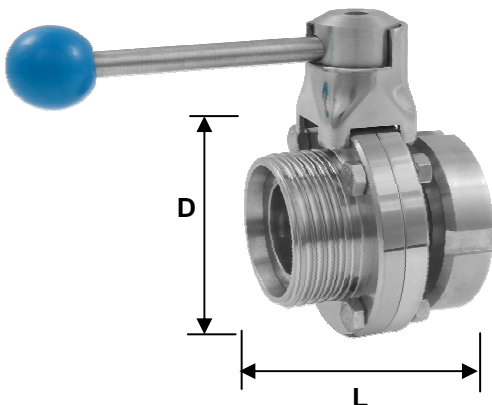


DN	DIN	GAS	D	L
25	52x1/6	1"	87	72
32	58x1/6	1"1/4	92	76
40	65x1/6	1"1/2	97	85
50	78x1/6	2"	110	85
65	95x1/6	2"1/2	127	93
80	110x1/4	3"	142	115
100	130x1/4	4"	162	126

VALVOLA A FARFALLA TIPO " PA "
 VANNE PAPILLON TIPE "PA"
 VALVULA MARIPOSA TIPO "PA"
 BUTTERFLY VALVE TYPE "PA"

DIN MASCHIO/GAS MASCHIO
 DIN MALE/ GAS MALE
 DIN MACHO / GAS MACHO
 DIN MALE/ GAS MALE

PA-DINM/GASM

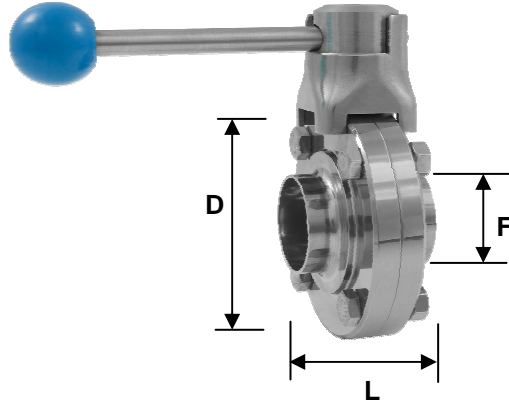


DN	DIN	GAS	D	L
25	52x1/6	1"	87	72
32	58x1/6	1"1/4	92	76
40	65x1/6	1"1/2	97	85
50	78x1/6	2"	110	85
65	95x1/6	2"1/2	127	93
80	110x1/4	3"	142	115
100	130x1/4	4"	162	126

VALVOLA A FARFALLA TIPO " PA "
 VANNE PAPILLON TIPE "PA"
 VALVULA MARIPOSA TIPO "PA"
 BUTTERFLY VALVE TYPE "PA"

DIN SALDARE / DIN SALDARE
 DIN SOUDER / DIN SOUDER
 DIN SOLDAR / DIN SOLDAR
 DIN WELD / DIN WELD

PA-DINSL/SL

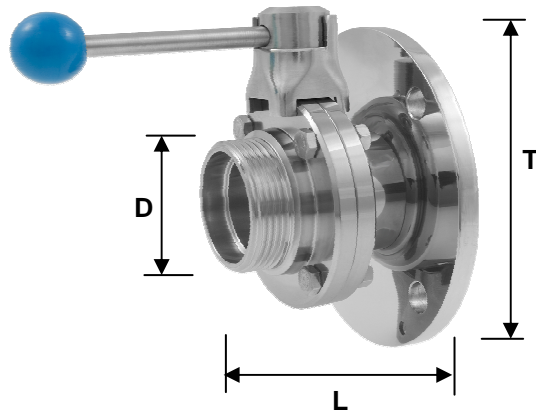


DN	F	D	L
25	28	80	40
32	34	85	42
40	40	93	50
50	52	105	50
65	70	125	50
80	85	139	60
100	104	158	64

VALVOLA A FARFALLA TIPO " PA "
 VANNE PAPILLON TIPE "PA"
 VALVULA MARIPOSA TIPO "PA"
 BUTTERFLY VALVE TYPE "PA"

FL PN6 ENO. - DIN FEM
 FL PN6 ENO. - DIN FEM
 FL PN6 ENO. - DIN FEM
 FL PN6 ENO. - DIN FEM

PA-FLENO/DINF



DN	DIN	T	D	L
25	52x1/6	100	87	64
32	58x1/6	120	92	64
40	65x1/6	130	97	72
50	78x1/6	140	110	72
65	95x1/6	160	127	76
80	110x1/4	190	142	100
100	130x1/4	210	162	104

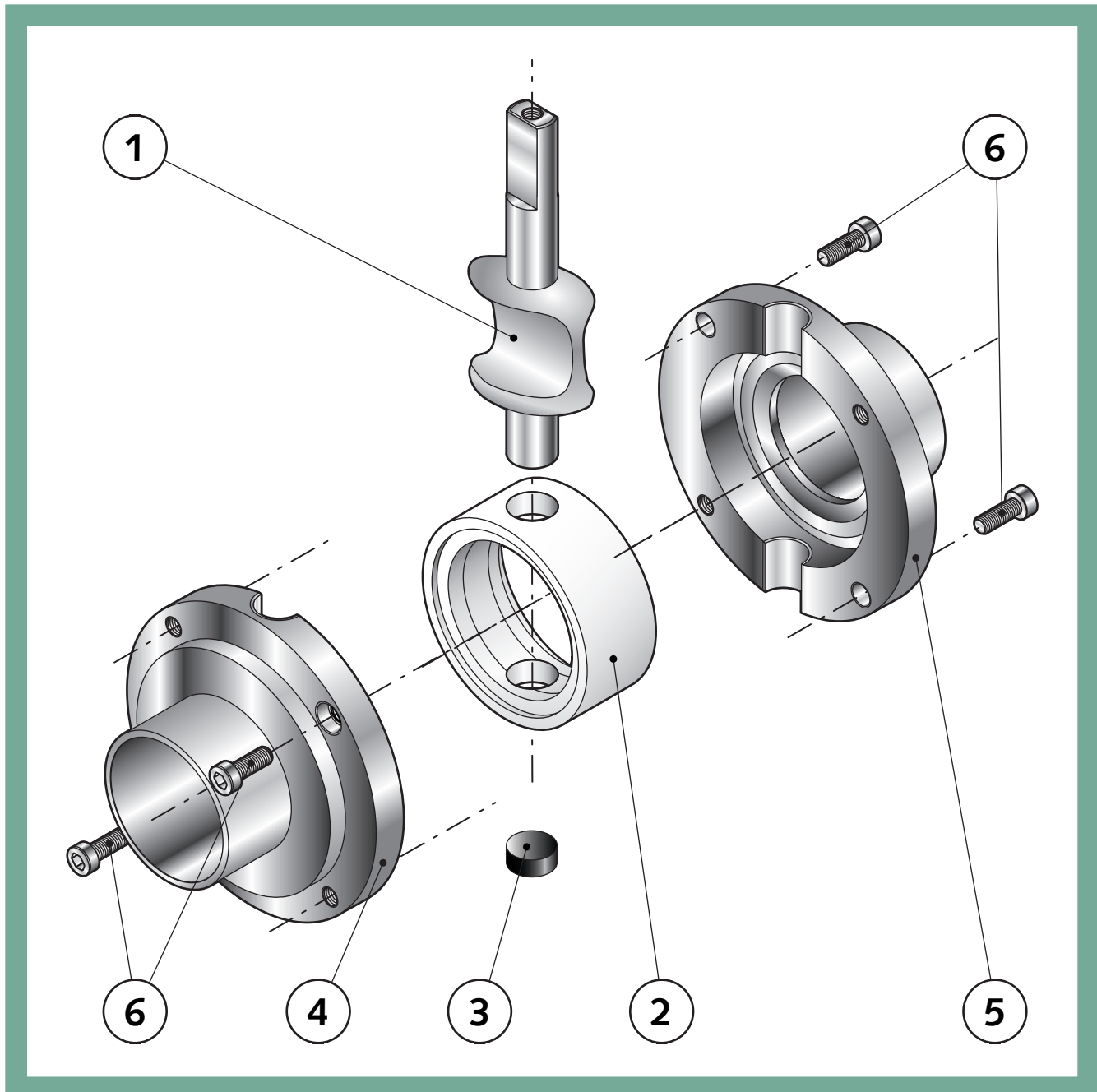
VALVOLE A FARFALLA

VANNES A PAPILLON
VALVULAS A MARIPOSA
BUTTERFLY VALVES



VALVOLA A FARFALLA

VANNE A PAPILLON
VALVULA A MARIPOSA
BUTTERFLY VALVE

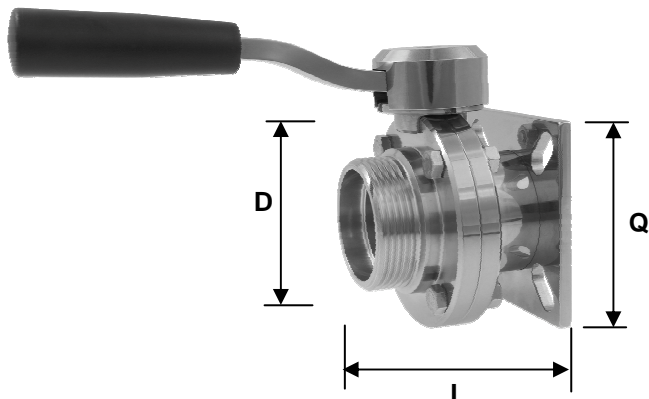


- 1 - **Otturatore a farfalla** / Papillon / Obturador a mariposa / Butterfly
- 2 - **Guarnizione di tenuta** / Joint d'étanchéité / Junta hermetica / Hermetic seal
- 3 - **Guarnizione** / Joint / Junta / Seal
- 4 - **Attacco di ingresso** / Attache d'admission / Conexión de ingreso / Inlet fastening
- 5 - **Attacco di uscita** / Attache de redement / Conexión de salida / Output fastening
- 6 - **Viti di serraggio** / Vis de blocage de vanne / Tornillo de cerraje / Valve locking screws

VALVOLA A FARFALLA TIPO " ML "
 VANNE PAPILLON TIPE "ML"
 VALVULA MARIPOSA TIPO "ML"
 BUTTERFLY VALVE TYPE "ML"

FLANGIA QUADRA - SMS
 BRIDE CARRE - SMS
 BRIDA CUADRADA - SMS
 SQUARE FLANGE - SMS

ML-FLQ/SMS

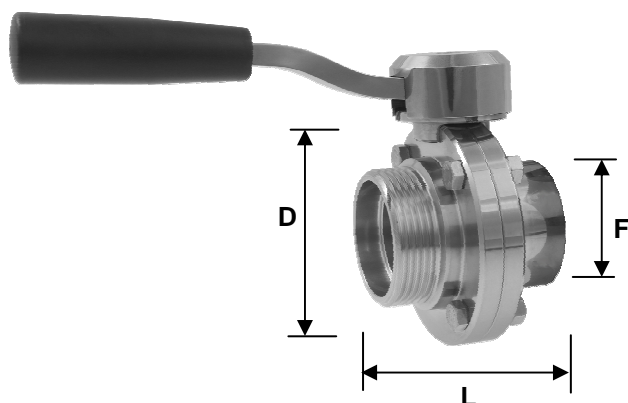


DN	Q	D	L
38	100	85	64
51	100	105	72
63	120	125	76
76	120	125	76
101/104	140	158	104

VALVOLA A FARFALLA TIPO " ML "
 VANNE PAPILLON TIPE "ML"
 VALVULA MARIPOSA TIPO "ML"
 BUTTERFLY VALVE TYPE "ML"

SALDARE - SMS
 SOUDER - SMS
 SOLDAR - SMS
 WELD - SMS

ML-SL/SMS

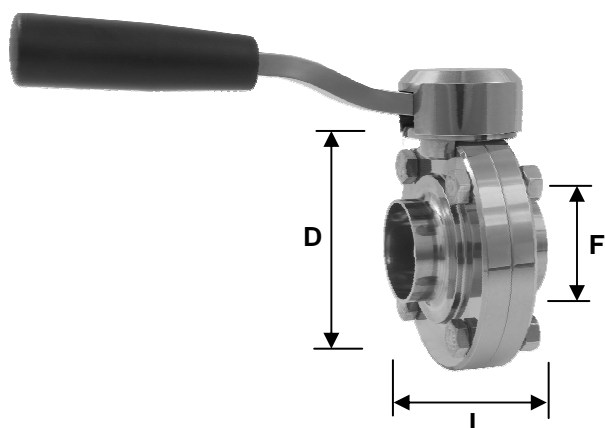


DN	F	D	L
38	38,1	85	53
51	50,8	105	61
63	63,5	125	63
76	76,1	125	63
101/104	101,6	158	84

VALVOLA A FARFALLA TIPO " ML "
 VANNE PAPILLON TIPE "ML"
 VALVULA MARIPOSA TIPO "ML"
 BUTTERFLY VALVE TYPE "ML"

SMS SALDARE - SMS SALDARE
 SMS SOUDER - SMS SALDARE
 SMS SOLDAR - SMS SOLDAR
 SMS WELD - SMS WELD

ML-SMSSL/SL

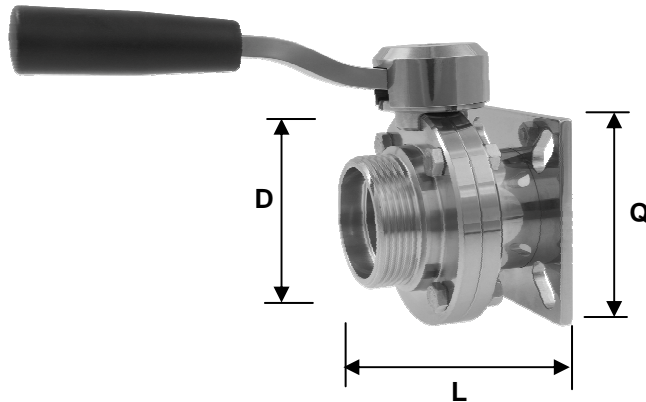


DN	F	D	L
38	38,1	85	42
51	50,8	105	50
63	63,5	125	50
76	76,1	125	50
101/104	101,6	158	64

VALVOLA A FARFALLA TIPO "ML"
 VANNE PAPILLON TIPE "ML"
 VALVULA MARIPOSA TIPO "ML"
 BUTTERFLY VALVE TYPE "ML"

FLANGIA QUADRA - MACON
 BRIDE CARRE - MACON
 BRIDA CUADRADA - MACON
 SQUARE FLANGE - MACON

ML-FLQ/MC

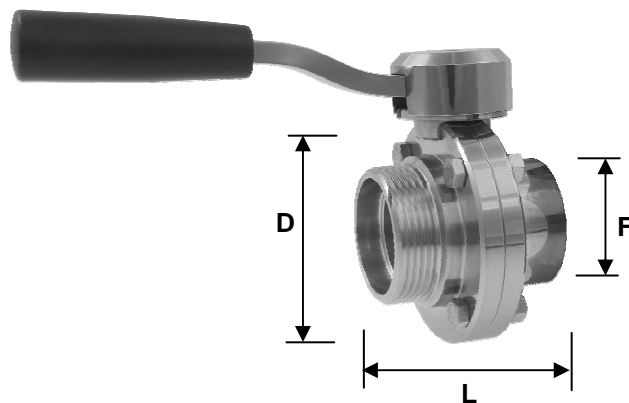


DN	Q	D	L
40	100	93	72
50	100	105	72
60	120	125	76
70	120	125	76
80	140	139	100
100	140	158	104

VALVOLA A FARFALLA TIPO "ML"
 VANNE PAPILLON TIPE "ML"
 VALVULA MARIPOSA TIPO "ML"
 BUTTERFLY VALVE TYPE "ML"

SILDARE - MACON
 SOUDER - MACON
 SOLDAR - MACON
 WELD - MACON

ML-SL/MC

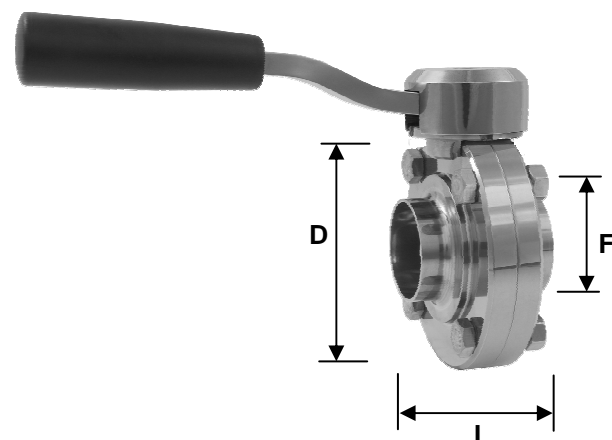


DN	F	D	L
40	43	93	61
50	53	105	61
60	63	125	63
70	73	125	63
80	83	139	80
100	103	158	84

VALVOLA A FARFALLA TIPO "ML"
 VANNE PAPILLON TIPE "ML"
 VALVULA MARIPOSA TIPO "ML"
 BUTTERFLY VALVE TYPE "ML"

MACON SILDARE - MACON SILDARE
 MACON SOUDER - MACON SILDARE
 MACON SOLDAR - MACON SOLDAR
 MACON WELD - MACON WELD

ML-MCSL/SL



DN	F	D	L
40	43	93	50
50	53	105	50
60	63	125	50
70	73	125	50
80	83	139	60
100	103	158	64

RUBINETTI-ACCESSORI-RACCORDI

ROBINETS - ACCESOIRES - RACCORDS

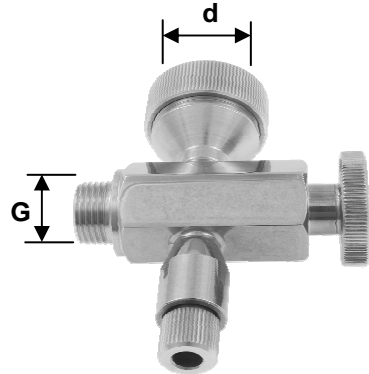
GRIFO - ACCESORIOS - EMPALMES

TAPS - ACCESSORIES - FITTINGS



RUBINETTO P/LIVELLO INFERIORE
 ROBINET DE NIVEAU INFERIEUR
 GRIFO DE NIVEL INFERIOR
 SAMPLING TAST

AC-227



G	TUBO	d
3/8	15	15,5
1/2	15	15,5
3/8	24	24,5
1/2	24	24,5

RUBINETTO P/LIVELLO INFERIORE CON FLANGIA OVALE
 ROBINET DE NIVEAU INFERIEUR AVEC BRIDE OVAL
 GRIFO DE NIVEL INFERIOR CON BRIDA OVALADA
 SAMPLING TAST WITH OVAL FLANGE

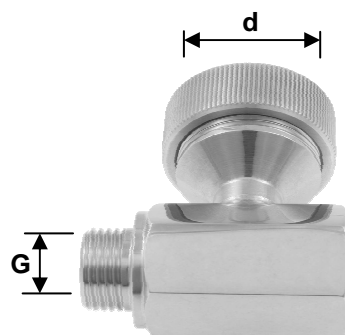
AC-228



	TUBO	d
FL.OV. 60x30	15	15,5
FL.OV. 60x30	24	24,5

RITORNO DI LIVELLO SUPERIORE
 RETOUR DE NIVEAU BOUCHE
 RETORNO DE NIVEL SUPERIOR
 UPPER LEVEL GAUGE TAP

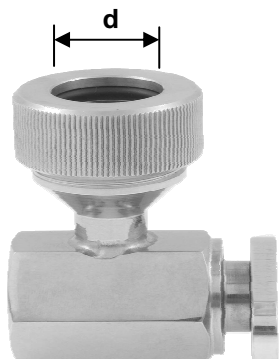
AC-229



G	TUBO	d
3/8	15	15,5
1/2	15	15,5
3/8	24	24,5
1/2	24	24,5

RITORNO DI LIVELLO SUPERIORE CON FLANGIA OVALE
 RETOUR DE NIVEAU BOUCHE AVEC BRIDE OVAL
 RETORNO DE NIVEL SUPERIOR CON BRIDA OVALADA
 UPPER LEVEL GAUGE TAP WITH OVAL FLANGE

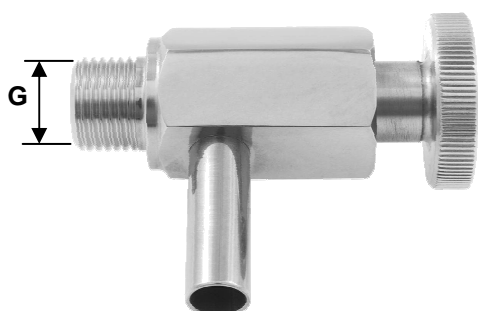
AC-230



	TUBO	d
FL.OV. 60x30	15	15,5
FL.OV. 60x30	24	24,5

RUBINETTO ASSAGGIAVINO
 ROBINET DE DEGUSTATION
 PRELEVA VINO
 WINE TASTING TAP

AC-231



G
3/8
1/2

RUBINETTO ASSAGGIAVINO FLANGIA OVALE
 ROBINET DE DEGUSTATION AVEC BRIDE OVAL
 PRELEVA VINO CON BRIDA OVALADA
 WINE TASTING TAP WITH OVAL FLANGE

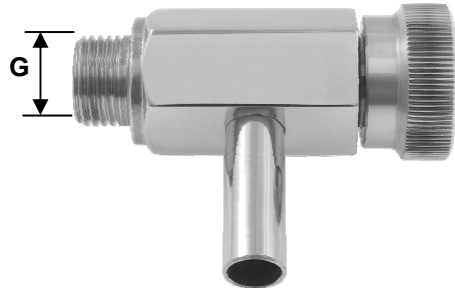
AC-232



DN
FL.OV. 60x30

RUBINETTO ASSAGGIAVINO SANITARIO
 ROBINET DE DEGUSTATION SANITAIRE
 PRELEVA VINO SANITARIO
 SANITARY WINE TASTING TAP

ACS-233



DN
1/2

RUBINETTO A SFERA GAS MASCHIO
 ROBINET A BOULLE
 GRIFO A BOLA
 BALL TASTING TAP

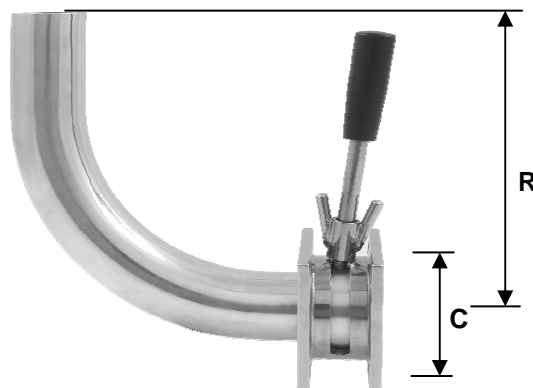
AC-234



G
1/2

DECANTATORE FLANGIA QUADRA
 DECANTATEUR
 DECANTADOR
 DECANTER

AC-235



DN	Q	R
40	100	330
50	100	345
70	120	430

TAPO INOX CON GUARNIZIONE E CATENELLA MACON
BOUCHON INOX AVEC JOINT ET CHAINETTE MACON
TAPA INOX CON JUNTA Y CADENA MACON
BLIND NUT WITH CHAIN MACON



AC-236

DN

40

50

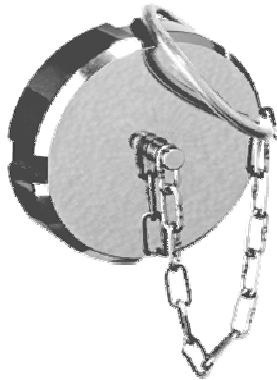
60

70

80

100

TAPO INOX CON GUARNIZIONE E CATENELLA SMS
BOUCHON INOX AVEC JOINT ET CHAINETTE SMS
TAPA INOX CON JUNTA Y CADENA SMS
BLIND NUT WITH CHAIN SMS



AC-237

DN

38

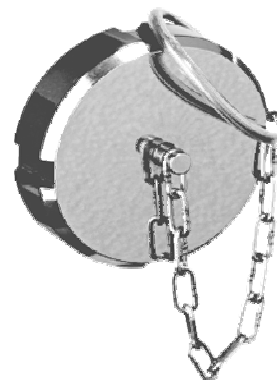
51

63

76

101/104

TAPO INOX CON GUARNIZIONE E CATENELLA DIN
BOUCHON INOX AVEC JOINT ET CHAINETTE DIN
TAPA INOX CON JUNTA Y CADENA DIN
BLIND NUT WITH CHAIN DIN



AC-238

DN

25

32

40

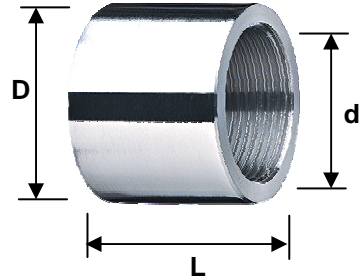
50

65

80

100

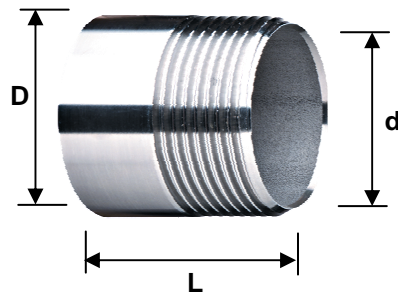
MANICOTTO FILETTATO GAS
 MAUCON GAS
 MANGUITO CON ROSCA GAS
 GAS MUFF



AC-245

GAS	D	d	L
1/2"	28	22	15
3/4"	35	27	30
1"	40	34	33
1"1/4	50	43	40
1"1/2	60	49	40
2"	70	60	43
2"1/2	90	77	45
3"	100	89	45
4"	128	112	50

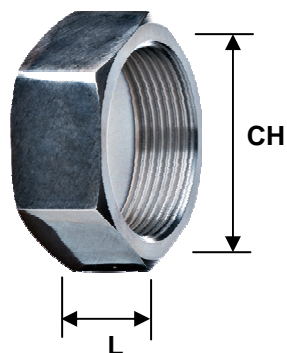
TRONCHETTO FILETTATO GAS
 TRONCON FILETE GAS
 TRONCO CON ROSCA GAS
 GAS MALE STUB PIPE



AC-246

GAS	D	d	L
1/2"	21,3	16	25
3/4"	26,9	21	30
1"	33,7	28	35
1"1/4	42,4	36	40
1"1/2	48,3	42	40
2"	60,3	53	43
2"1/2	76,1	68	45
3"	88,9	81	45
4"	115,0	105	60

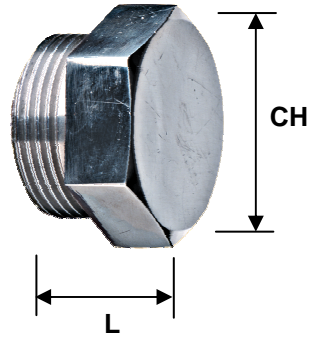
TAPPO FEMMINA GAS
 BOUCHON FEMELLE HEXAGONAL GAS
 TAPON ROSCA INTERIOR GAS
 GAS HEXAGONAL CAP



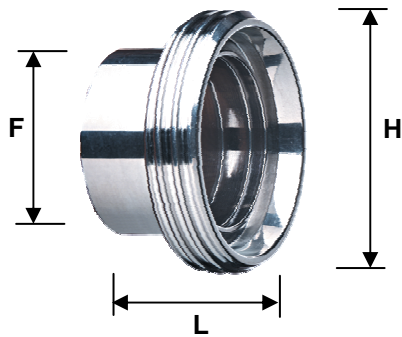
AC-247

DN	G	L	CH
15	1/2"	17	24
20	3/4"	19	30
25	1"	22	36
32	1"1/4	24	46
40	1"1/2	27	55
50	2"	30	65

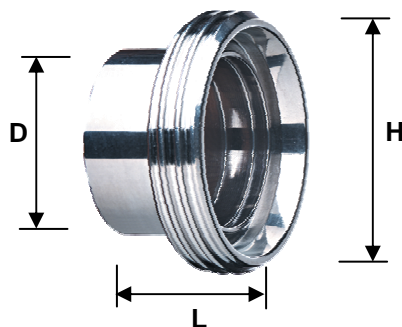
TAPPO MASCHIO GAS
BOUCHON MALE HEXAGONAL GAS
TAPON ROSCA EXTERIOR GAS
GAS HEXAGONAL PLUG



BOCCHETTONE DIN FEMMINA A SALDARE
NEZ FILETE DIN SOUDABLE
BOCA DIN HEMBRA A SOLDAR
TO WELD DIN MALE PART



BOCCHETTONE DIN FEMMINA A MANDRINARE
NEZ FILETE DIN DUDGEONNER
BOCA DIN HEMBRA PARA RODAR
DIN MALE PART TO ROLL



AC-248

DN	G	L	CH
15	1/2"	22	22
20	3/4"	24	27
25	1"	27	36
32	1"1/4	32	46
40	1"1/2	34	50
50	2"	30	65

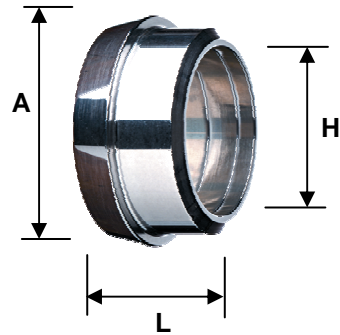
AC-249

DN	H	F	L
25	52x1/6	21	29
32	58x1/6	37	32
40	65x1/6	42	33
50	78x1/6	55	35
65	95x1/6	72	40
80	110x1/4	87	45
100	130x1/4	104	54
120	160x1/4	132	46

AC-250

DN	H	D	L
25	52x1/6	28,2	29
32	58x1/6	34,2	32
40	65x1/6	40,2	33
50	78x1/6	52,2	35
65	95x1/6	70,3	40
80	110x1/4	85,3	45
100	130x1/4	104,3	54
120	160x1/4	132	46

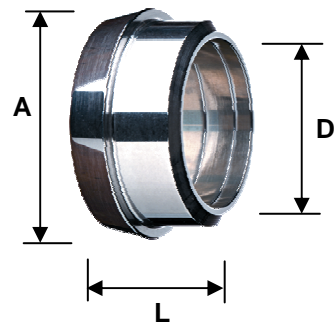
BOCCHETTONE DIN MASCHIO A SALDARE
DOUILLE DIN SOUDABLE
BOCA DIN MACHO A SOLDAR
TO WELD DIN LINER



AC-251

DN	F	A	L
25	30	44	22
32	36	50	25
40	42	56	26
50	54	68	28
65	72	86	32
80	87	100	37
100	104	121	44
120	132	150	34

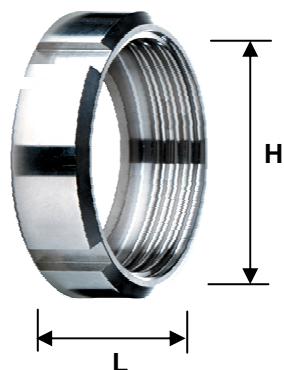
BOCCHETTONE DIN MASCHIO A MANDRINARE
DOUILLE DIN DUDGEONNER
BOCA DIN MACHO PARA RODAR
DIN LINER TO ROLL



AC-252

DN	A	D	L
25	44	28,2	22
32	50	34,2	25
40	56	40,2	26
50	68	52,2	28
65	86	70,3	32
80	100	85,3	37
100	121	104,3	44
120	150	132,4	34

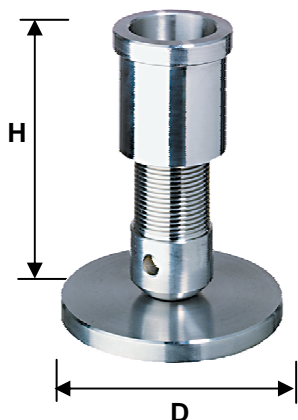
GIRELLA DIN
ECROU DIN
TUERCA DIN
DIN NUT



AC-253

DN	H	L
25	52x1/6	21
32	58x1/6	21
40	65x1/6	21
50	78x1/6	22
65	95x1/6	25
80	110x1/4	29
100	130x1/4	31
120	160x1/4	34

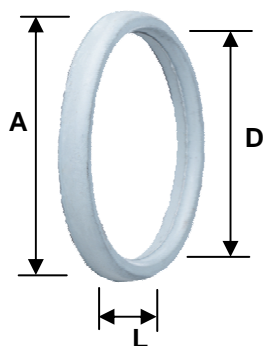
SOSTEGNO REGOLABILE
 REGLADE DE PIED
 TENILA REGISTRABLE
 ADJUSTABLE SUPPORT



AC-254

M	H	D
20	120	150
24	120	150
30	190	200
36	190	250

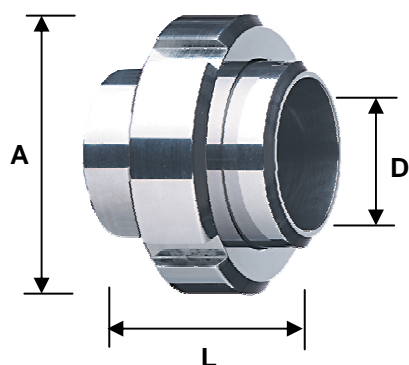
GUARNIZIONE PER RACCORDO DIN IN SILICONE
 JOINT DE RACCORD DIN EN SILICONE
 JUNTA EN SILICONA PARA EMPALMAJE DIN
 SILICONE DIN PIPE FITTING'S GASKET



AC-255

DN	A	D	L
25	40	30	5
32	46	36	5
40	52	42	5
50	64	54	5
65	81	71	5
80	95	85	5
100	114	104	6
120	142	130	7

RACCORDO COMPLETO DIN A SALDARE
 RACCORD COMPLET DIN SOUDABLE
 EMPALME COMPLETO DIN A SOLDAR
 DIN PIPE FITTING TO WELD

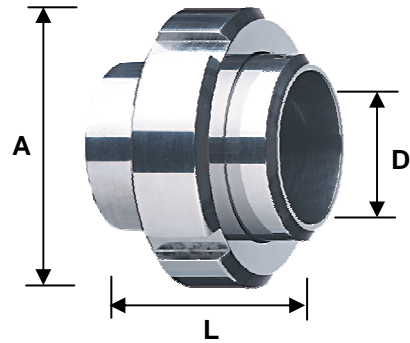


AC-256

DN	D	A	L
25	26	63	45
32	32	70	51
40	38	78	53
50	50	92	57
65	66	112	65
80	81	127	75
100	104,3	148	89
120	125	178	70

RACCORDO COMPLETO DIN A MANDRINARE
 RACCORD COMPLET DIN DUDGEONNER
 EMPALME COMPLETO DIN PARA ROSCAR
 DIN PIPE FITTING TO ROLL

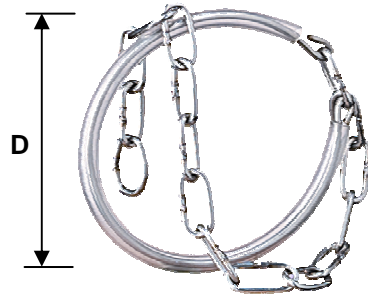
AC-257



DN	D	A	L
25	28,2	63	45
32	34,2	70	51
40	40,2	78	53
50	52,5	92	57
65	70,3	112	65
80	85,3	127	75
100	104,3	148	89
120	132,4	178	70

CATENELLA CON AGGANCIO
 CHAINETTE INOX
 CADENA
 CHAIN

AC-258



DN	D
25..50	52
60..100	78

GUARNIZIONE PER VALVOLA A FARFALLA IN SILICONE
JOINT DE VANNE A PAPILLON EN SILICONE
JUNTA PARA VALVULA A MARIPOSA EN SILICONA
SILICONE BUTTERFLY VALVE GASKET



AC-239

DN
25
32
40
50
60
65
80
100

GUARNIZIONE PER VALVOLA A FARFALLA IN EPDM
JOINT DE VANNE A PAPILLON EN EPDM
JUNTA PARA VALVULA A MARIPOSA EN EPDM
EPDM BUTTERFLY VALVE GASKET



AC-240

DN
25
32
40
50
60
65
80
100

GUARNIZIONE PER VALVOLA A FARFALLA IN VITON
JOINT DE VANNE A PAPILLON EN VITON
JUNTA PARA VALVULA A MARIPOSA EN VITON
VITON BUTTERFLY VALVE GASKET



AC-241

DN
25
32
40
50
60
65
80
100

GUARNIZIONI PER FLANGE
JOINT POUR BRIDE
JUNTA PARA BRIDAS
GASKETS



AC-242

L x L

OVALE 60x30

GUARNIZIONE PER VALVOLA A SFERA A 2 VIE (PTFE + NBR)
JOINT DE VANNE A BOULE 2 VOIES (PTFE + NBR)
JUNTA PARA VALVULA A ESFERA A 2 PASOS (PTFE + NBR)
GASKTS KIT FOR 2 WAYS BALL VALVE (PTFE + NBR)



AC-243

DN	GAS
15	1/4"-1/2"
20	3/4"
25	1"
32	1" 1/4
40	1" 1/2
50	2"
60	2" 1/4
65	2" 1/2
80	3"
100	4"
120	5"

TAPPO PVC CON GUARNIZIONE
BOUCHON PVC AVEC JOINT
TAPA PVC CON JUNTA
PVC CAP WITH GASKET



AC-244

MACON

40

50

70